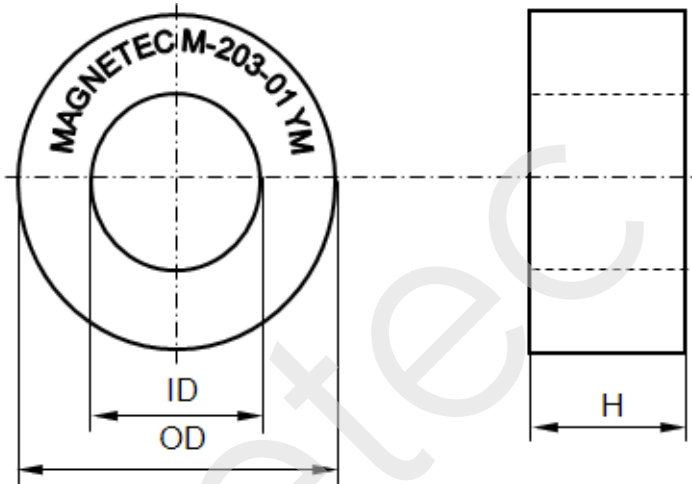


CONFIDENTIAL - Reproduction, publication and dissemination of this publication, enclosures hereto and the information contained therein is prohibited without MAGNETEC's prior written consent.

Client:	MAGNETEC GmbH	Magnetec P/N:	M-203		
Client's P/N:	/	PS Index:	01	PS Revision:	01
Subject:	EMC Wandler				

1. Mechanical Outline	
Nominal equivalent round core: 63,5 x 51 x 25 Finished product dimensions: OD \leq 65,5 ID \geq 48,0 H \leq 27,3 [dimensions] = mm	

2. Core data (nominal values)			
Core material:	NANOPERM®	$L_{Fe} = 17,91 \text{ cm}$	$A_{Fe} = 1,25 \text{ cm}^2$
Permeability level:	~85 000	@ frequency 10 kHz	@ H peak 3,2 mA/cm

3. Inspection values (at room temperature, unless otherwise stated)			
Measured value	Measurement limits	Frequency	I _{eff} x N [mA x turn]
AL [μH]	45,0 - 100,0	10 kHz	40

4. Core finishing	
Type:	Epoxy coated and foil bandaged
Marking:	MAGNETEC M-203-01 YM (Y = year / M = month)
Packaging:	10 pcs. per layer; 3 layers per carton box; PU = 30 pcs.

5. Comments	
M-088 foil bandaged Visit http://www.magnetec.de/fileadmin/pdf/pb_ds.pdf for further information.	

Index / Revision	Alteration	Date
01 / 01	Product Specification.	14.06.2011

Created:	Zs. Eperjesi 14.06.2011	Approved (Techn):	F. Zámboorszky 01.07.2011	Approved (Quality):	J. Gulyas 18.07.2011	Released:	F. Rauscher 18.07.2011
-----------------	----------------------------	--------------------------	------------------------------	----------------------------	-------------------------	------------------	---------------------------

CONFIDENTIAL - Reproduction, publication and dissemination of this publication, enclosures hereto and the information contained therein is prohibited without MAGNETEC's prior written consent. Disclosing the specification to third parties or using its content without written permission from MAGNETEC is strictly forbidden and every offender is liable to pay the corresponding damages.