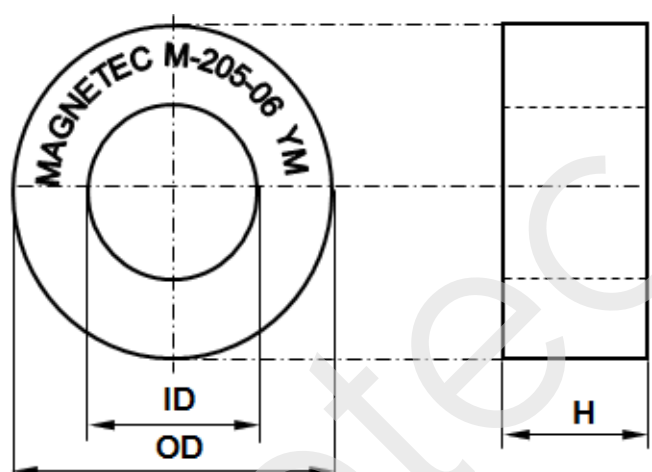


CONFIDENTIAL - Reproduction, publication and dissemination of this publication, enclosures hereto and the information contained therein is prohibited without MAGNETEC's prior written consent.

Client:	MAGNETEC	Magnetec P/N:	M-205		
Client's P/N:	/	PS Index:	06	PS Revision:	02
Subject:	EMC Wandler				

1. Mechanical Outline	
<p>Nominal equivalent round core:</p> <p>300 x 250 x 30</p> <p>Finished product dimensions:</p> <p>OD ≤ 305 ID ≥ 246,5 H ≤ 37</p> <p>[dimensions] = mm</p>	

2. Core data (nominal values)			
Core material:	NANOPERM®	$L_{Fe} = 86,4 \text{ cm}$	$A_{Fe} = 4,67 \text{ cm}^2$
Permeability level:	30 000	@ frequency 10 kHz	@ H peak 3 mA/cm

3. Inspection values (at room temperature, unless otherwise stated)			
Measured value	Measurement limits	Frequency	I _{eff} x N [mA x turn]
AL [μH]	14,3 - 28,5	10 kHz	185
AL [μH]	7,2 - NA	100 kHz	185

4. Core finishing	
Type:	Cased
Marking:	MAGNETEC M-205-06 YM (YM = Year/Month), acc. to IEC 60062 6.1.1
Packaging:	1 pcs. per layer; 2 layers per carton box; PU = 2 pcs.

5. Comments
Visit http://www.magnetec.de/fileadmin/pdf/pb_ds.pdf for further information.

Index / Revision	Alteration	Date
06 / 01	First issue	20.03.2015
06 / 02	Height change from 35mm to 37mm	14.10.2019

Created:	J. Tóttik 14.10.2019	Approved (Techn):	F. Zámboorszky 17.10.2019	Approved (Quality):	Sz. Ilcsik 14.10.2019	Released:	B. Kessler 19.10.2019
-----------------	-------------------------	--------------------------	------------------------------	----------------------------	--------------------------	------------------	--------------------------

CONFIDENTIAL - Reproduction, publication and dissemination of this publication, enclosures hereto and the information contained therein is prohibited without MAGNETEC's prior written consent. Disclosing the specification to third parties or using its content without written permission from MAGNETEC is strictly forbidden and every offender is liable to pay the corresponding damages.