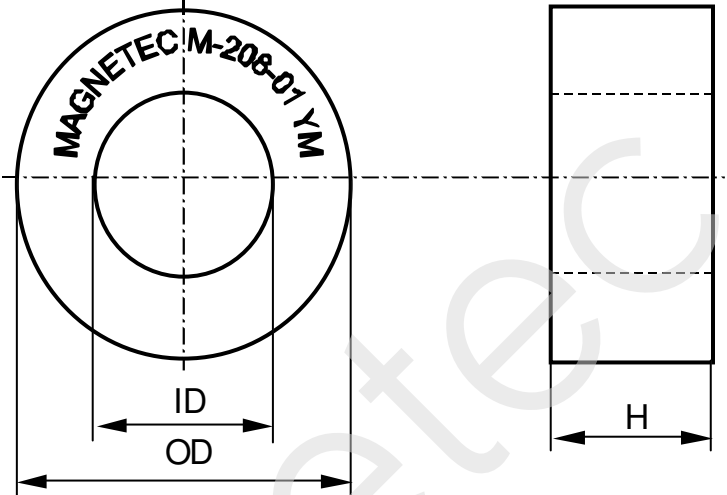


CONFIDENTIAL - Reproduction, publication and dissemination of this publication, enclosures hereto and the information contained therein is prohibited without MAGNETEC's prior written consent.

<b>Client:</b>	<b>MAGNETEC GmbH</b>	<b>Magnetec P/N:</b>	<b>M-208</b>		
<b>Client's P/N:</b>	/	<b>PS Index:</b>	<b>01</b>	<b>PS Revision:</b>	<b>02</b>
<b>Subject:</b>	<b>EMC Wandler</b>				

1. Mechanical Outline	
Nominal equivalent round core:  <b>40 x 32 x 15</b>  Finished product dimensions:  OD ≤ <b>42,3</b> ID ≥ <b>29,1</b> H ≤ <b>17,3</b>  [dimensions] = mm	

2. Core data (nominal values)			
Core material:	<b>NANOPERM®</b>	$L_{Fe} = 11,26 \text{ cm}$	$A_{Fe} = 0,48 \text{ cm}^2$
Permeability level:	~20 000	@ frequency <b>100 kHz</b>	@ H peak <b>3,14 mA/cm</b>

3. Inspection values (at room temperature, unless otherwise stated)			
Measured value	Measurement limits	Frequency	$l_{eff} \times N$ [mA x turn]
<b>AL [μH]</b>	<b>7,0 - 11,5</b>	<b>100 kHz</b>	<b>25</b>

4. Core finishing	
Type:	<b>Epoxy coated and foil bandaged core</b>
Marking:	<b>MAGNETEC M-208-01 YM</b>
Packaging:	<b>24 pcs. per layer; 5 layers per carton box; PU = 120 pcs.</b>

**5. Comments**  
 Visit [http://www.magnetec.de/fileadmin/pdf/pb\\_ds.pdf](http://www.magnetec.de/fileadmin/pdf/pb_ds.pdf) for further information.

Index / Revision	Alteration	Date
01 / 00	Product Specification	20.09.2002
01 / 01	RoHS compliant / PU = 120 pcs.	07.02.2006
01 / 02	New form	14.11.2007

<b>Created:</b>	Á. Kovách	<b>Approved (Techn):</b>	F. Zámbořszky	<b>Approved (Quality):</b>	V. Kaposztas	<b>Released:</b>	F. Rauscher
	14.11.2007		04.12.2007		04.12.2007		04.12.2007

CONFIDENTIAL - Reproduction, publication and dissemination of this publication, enclosures hereto and the information contained therein is prohibited without MAGNETEC's prior written consent. Disclosing the specification to third parties or using its content without written permission from MAGNETEC is strictly forbidden and every offender is liable to pay the corresponding damages.