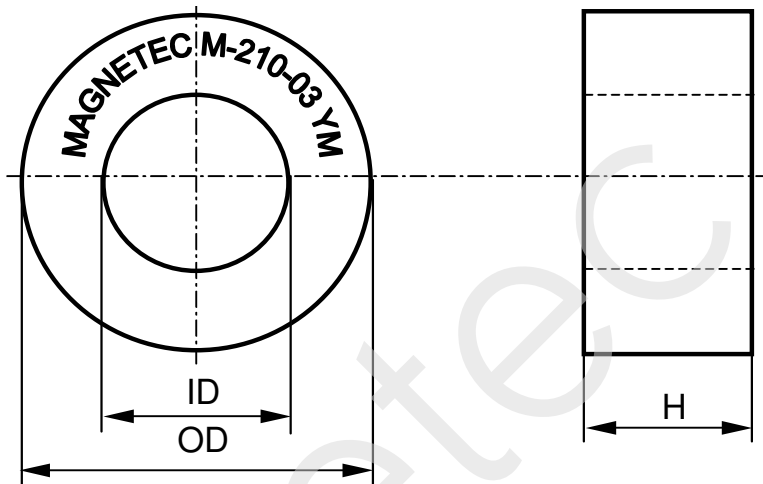


CONFIDENTIAL - Reproduction, publication and dissemination of this publication, enclosures hereto and the information contained therein is prohibited without MAGNETEC's prior written consent.

Client:	MAGNETEC GmbH	Magnetec P/N:	M-210		
Client's P/N:	/	PS Index:	03	PS Revision:	05
Subject:	EMC WANDLER				

1. Mechanical Outline	
Nominal equivalent round core: 88,5 x 53,5 x 25,0 Finished product dimensions: OD \leq 91,0 ID \geq 50,5 H \leq 27,0 [dimensions] = mm	

2. Core data (nominal values)			
Core material:	NANOPERM®	$L_{Fe} = 21,85 \text{ cm}$	$A_{Fe} = 3,33 \text{ cm}^2$
Permeability level:	30 000	@ frequency 10 kHz	@ H peak 3,3 mA/cm

3. Inspection values (at room temperature, unless otherwise stated)			
Measured value	Measurement limits	Frequency	I _{eff} x N [mA x turn]
AL [μH]	40,2 - 80,3	10 kHz	50

4. Core finishing	
Type:	Epoxy coated
Marking:	MAGNETEC M-210-03 YM
Packaging:	5 pcs. per layer; 3 layers per carton box; PU = 15 pcs.

5. Comments	
V-t area ca. 0,33 mVs Visit http://www.magnetec.de/fileadmin/pdf/pb_ds.pdf for further information.	

Index / Revision	Alteration	Date
03 / 02	Nominal core dimensions: 88,5 x 53,5 x 25,0mm; AL = 40,2 - 80,3 μH; PU = 12 pcs.	28.02.2003
03 / 03	New format	12.07.2006
03 / 04	PU = 15 pcs.	14.07.2006
03 / 05	H \leq 27,0 mm	24.07.2007

Created:	Á. Kovách 24.07.2007	Approved (Techn):	F. Zámbořský 31.07.2007	Approved (Quality):	V. Kaposztas 31.07.2007	Released:	F. Rauscher 31.07.2007
-----------------	-------------------------	--------------------------	----------------------------	----------------------------	----------------------------	------------------	---------------------------

CONFIDENTIAL - Reproduction, publication and dissemination of this publication, enclosures hereto and the information contained therein is prohibited without MAGNETEC's prior written consent. Disclosing the specification to third parties or using its content without written permission from MAGNETEC is strictly forbidden and every offender is liable to pay the corresponding damages.