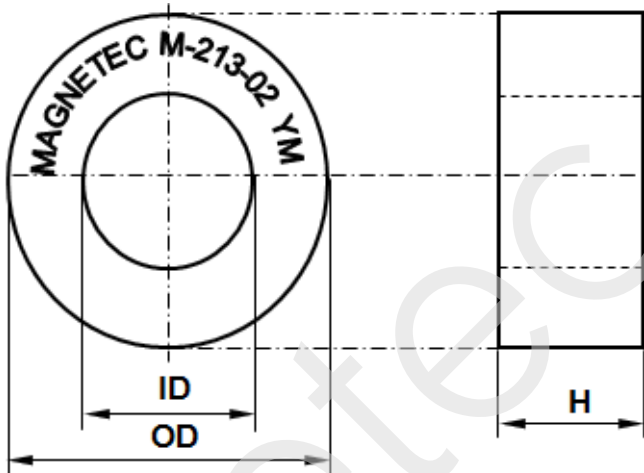


CONFIDENTIAL - Reproduction, publication and dissemination of this publication, enclosures hereto and the information contained therein is prohibited without MAGNETEC's prior written consent.

<b>Client:</b>	<b>MAGNETEC GmbH</b>	<b>Magnetec P/N:</b>	<b>M-213</b>		
<b>Client's P/N:</b>	/	<b>PS Index:</b>	<b>02</b>	<b>PS Revision:</b>	<b>02</b>
<b>Subject:</b>	<b>EMC WANDLER</b>				

1. Mechanical Outline	
Nominal equivalent round core:  <b>50,0 x 40,0 x 20,0</b>  Finished product dimensions:  OD ≤ <b>52,3</b> ID ≥ <b>37,1</b> H ≤ <b>22,3</b>  [dimensions] = mm	

2. Core data (nominal values)			
Core material:	<b>NANOPERM®</b>	$L_{Fe} = 14,08 \text{ cm}$	$A_{Fe} = 0,73 \text{ cm}^2$
Permeability level:	~ 18 000 ~ 30 000	@ frequency 100 kHz 10 kHz	@ H peak <b>3,0 mA/cm</b> <b>3,0 mA/cm</b>

3. Inspection values (at room temperature, unless otherwise stated)			
Measured value	Measurement limits	Frequency	leff x N [mA x turn]
<b>AL [μH]</b>	<b>9,5 - 15,0</b>	<b>100 kHz</b>	<b>30</b>
<b>AL [μH]</b>	<b>14 - 28</b>	<b>10 kHz</b>	<b>30</b>

4. Core finishing	
Type:	<b>Epoxy coated</b>
Marking:	<b>MAGNETEC M-213-02 YM</b>
Packaging:	<b>15 pcs. per layer; 4 layers per carton box; PU = 60 pcs.</b>

5. Comments
Visit <a href="http://www.magnetec.de/fileadmin/pdf/pb_ds.pdf">http://www.magnetec.de/fileadmin/pdf/pb_ds.pdf</a> for further information.

Index / Revision	Alteration	Date
01 / 00	Product Specification	20.11.2002
01 / 01	New format	20.06.2007
02 / 02	Index change, 10 kHz inspection value introduced	05.06.2013

<b>Created:</b>	Z. Palánki 05.06.2013	<b>Approved (Techn):</b>	F. Zámboorszky 08.08.2013	<b>Approved (Quality):</b>	J. Gulyás 08.08.2013	<b>Released:</b>	T. Trupp 08.08.2013
-----------------	--------------------------	--------------------------	------------------------------	----------------------------	-------------------------	------------------	------------------------

CONFIDENTIAL - Reproduction, publication and dissemination of this publication, enclosures hereto and the information contained therein is prohibited without MAGNETEC's prior written consent. Disclosing the specification to third parties or using its content without written permission from MAGNETEC is strictly forbidden and every offender is liable to pay the corresponding damages.