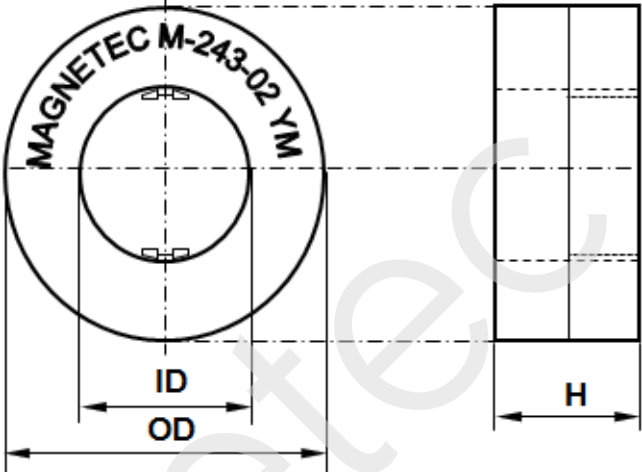


CONFIDENTIAL - Reproduction, publication and dissemination of this publication, enclosures hereto and the information contained therein is prohibited without MAGNETEC's prior written consent.

Client:	MAGNETEC	Magnetec P/N:	M-243		
Client's P/N:	/	PS Index:	02	PS Revision:	02
Subject:	EMC Wandler				

1. Mechanical Outline	
Nominal equivalent round core: 25 x 20 x 10 Finished product dimensions: OD \leq 27,8 ID \geq 17,6 H \leq 12,5 [dimensions] = mm	

2. Core data (nominal values)			
Core material:	NANOPERM®	$L_{Fe} = 7,1 \text{ cm}$	$A_{Fe} = 0,20 \text{ cm}^2$
Permeability level:	~40 000	@ frequency 10 kHz	@ H peak 2,0 mA/cm

3. Inspection values (at room temperature, unless otherwise stated)			
Measured value	Measurement limits	Frequency	leff x N [mA x turn]
AL [μH]	9,6 - 16,5	10 kHz	10
AL [μH]	4,3 - 7,4	100 kHz	10

4. Core finishing	
Type:	Cased
Marking:	MAGNETEC M-243-02 YM (YM = Year/Month), acc. to IEC 60062 6.1.1
Packaging:	63 pcs. per layer; 6 layers per carton box; PU = 378 pcs.

5. Comments
Visit http://www.magnetec.de/fileadmin/pdf/pb_ds.pdf for further information.

Index / Revision	Alteration	Date
01 / 00	Production Specification	16.10.2004
01 / 01	LN form / AL 4,3 - 8,0 μH @ 100 kHz	10.10.2008
01 / 02	Finished product dimension corrected, permeability level at 10 kHz, AL limits defined at 10kHz, 100kHz upper limit decreased	19.01.2015

Created:	Z. Palánki 19.01.2015	Approved (Techn):	F. Záborszky 28.01.2015	Approved (Quality):	J. Gulyás 28.01.2015	Released:	T. Trupp 28.01.2015
-----------------	--------------------------	--------------------------	----------------------------	----------------------------	-------------------------	------------------	------------------------

CONFIDENTIAL - Reproduction, publication and dissemination of this publication, enclosures hereto and the information contained therein is prohibited without MAGNETEC's prior written consent. Disclosing the specification to third parties or using its content without written permission from MAGNETEC is strictly forbidden and every offender is liable to pay the corresponding damages.