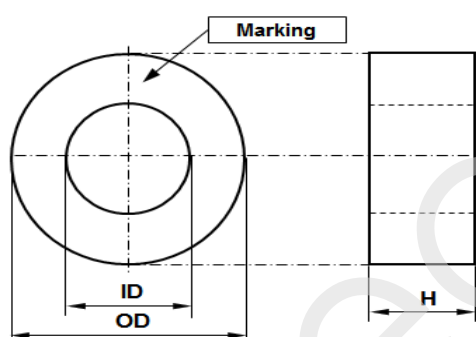


CONFIDENTIAL - Reproduction, publication and dissemination of this publication, enclosures hereto and the information contained therein is prohibited without MAGNETEC's prior written consent.

| | | | | | |
|----------------------|--------------------|----------------------|--------------|---------------------|-----------|
| Client: | MAGNETEC | Magnetec P/N: | M-295 | | |
| Client's P/N: | / | PS Index: | 04 | PS Revision: | 06 |
| Subject: | EMC Wandler | | | | |

| 1. Mechanical Outline | |
|---|--|
| Nominal equivalent round core: 40 x 32 x 15 Finished product dimensions: OD ≤ 43,1 ID ≥ 28,8 H ≤ 17,4 [dimensions] = mm |  |

| 2. Core data (nominal values) | | | |
|-------------------------------|------------------|------------------------------|-------------------------------|
| Core material: | NANOPERM® | $L_{Fe} = 11,26 \text{ cm}$ | $A_{Fe} = 0,48 \text{ cm}^2$ |
| Permeability level: | 40 000 | @ frequency 10 kHz | @ H peak 2,51 mA/cm |

| 3. Inspection values (at room temperature, unless otherwise stated) | | | |
|---|--------------------|----------------|----------------------|
| Measured value | Measurement limits | Frequency | leff x N [mA x turn] |
| AL [μH] | 16 - 30 | 10 kHz | 20 |
| AL [μH] | 7 - NA | 100 kHz | 20 |

| 4. Core finishing | |
|-------------------|--|
| Type: | Cased |
| Marking: | MAGNETEC M-295-04 YM (YM = Year/Month), acc. to IEC 60062 6.1.1 |
| Packaging: | 24 pcs. per layer; 5 layers per carton box; PU = 120 pcs. |

| 5. Comments |
|--|
| Visit http://www.magnetec.de/fileadmin/pdf/pb_ds.pdf for further information. |

| Index / Revision | Alteration | Date |
|------------------|---|------------|
| 01 / 01 | Product Specification | 24.06.2005 |
| 01 / 02 | Cased core dimensions: 43.0 x 28.8 x 17.2 mm | 28.03.2006 |
| 02 / 03 | New form / New case material | 17.01.2007 |
| 03 / 04 | Case material Ultramid, Case height ≤ 17,4 mm | 07.04.2011 |
| 03 / 05 | 100kHz lower limit defined | 17.11.2014 |
| 04 / 06 | Case material and color changed | 02.06.2016 |

| | | | | | | | |
|-----------------|--------------------------|--------------------------|-----------------------------|----------------------------|--------------------------|------------------|-----------------------|
| Created: | Z. Palánki 02.06.2016 | Approved (Techn): | F. Zámbořszky 09.06.2016 | Approved (Quality): | L. Ferencz 09.06.2016 | Released: | P. Seiz 10.06.2016 |
|-----------------|--------------------------|--------------------------|-----------------------------|----------------------------|--------------------------|------------------|-----------------------|

CONFIDENTIAL - Reproduction, publication and dissemination of this publication, enclosures hereto and the information contained therein is prohibited without MAGNETEC's prior written consent. Disclosing the specification to third parties or using its content without written permission from MAGNETEC is strictly forbidden and every offender is liable to pay the corresponding damages.