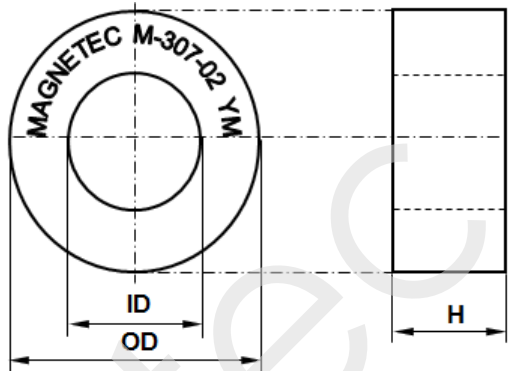


CONFIDENTIAL - Reproduction, publication and dissemination of this publication, enclosures hereto and the information contained therein is prohibited without MAGNETEC 's prior written consent.

Client:	MAGNETEC	Magnetec P/N:	M-307		
Client's P/N:	/	PS Index:	02	PS Revision:	02
Subject:	EMC Wandler				

1. Mechanical Outline	
Nominal equivalent round core: 20 x 15 x 5 Finished product dimensions: OD \leq 22,4 ID \geq 12,6 H \leq 7,5 [dimensions] = mm	

2. Core data (nominal values)			
Core material:	NANOPERM®	$L_{Fe} = 5,46 \text{ cm}$	$A_{Fe} = 0,09 \text{ cm}^2$
Permeability level:	30 000	@ frequency 10 kHz	@ H peak 3,89 mA/cm

3. Inspection values (at room temperature, unless otherwise stated)			
Measured value	Measurement limits	Frequency	$l_{eff} \times N$ [mA x turn]
AL [μH]	4,5 - 9,1	10 kHz	15
AL [μH]	2,25 - NA	100 kHz	15

4. Core finishing	
Type:	Cased
Marking:	MAGNETEC M-307-02 YM (YM = Year/Month), acc. to IEC 60062 6.1.1
Packaging:	75 pcs. per layer; 9 layers per carton box; PU = 675 pcs.

5. Comments	
Visit http://www.magnetec.de/fileadmin/pdf/pb_ds.pdf for further information.	

Index / Revision	Alteration	Date
02 / 01	Product Specification	06.10.2006
02 / 02	100kHz lower limit defined	13.11.2014

Created:	Z. Palánki 13.11.2014	Approved (Techn):	F. Záborszky 27.01.2015	Approved (Quality):	J. Gulyás 27.01.2015	Released:	T. Trupp 27.01.2015
-----------------	--------------------------	--------------------------	----------------------------	----------------------------	-------------------------	------------------	------------------------

CONFIDENTIAL - Reproduction, publication and dissemination of this publication, enclosures hereto and the information contained therein is prohibited without MAGNETEC's prior written consent. Disclosing the specification to third parties or using its content without written permission from MAGNETEC is strictly forbidden and every offender is liable to pay the corresponding damages .