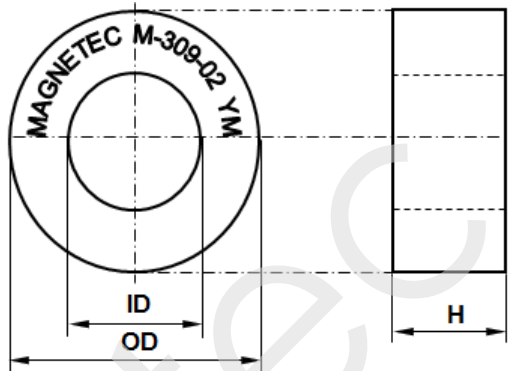


CONFIDENTIAL - Reproduction, publication and dissemination of this publication, enclosures hereto and the information contained therein is prohibited without MAGNETEC 's prior written consent.

Client:	MAGNETEC	Magnetec P/N:	M-309		
Client's P/N:	/	PS Index:	02	PS Revision:	03
Subject:	EMC Wandler				

1. Mechanical Outline	
Nominal equivalent round core: 30 x 25 x 5 Finished product dimensions: OD \leq 32,7 ID \geq 22,0 H \leq 7,5 [dimensions] = mm	

2. Core data (nominal values)			
Core material:	NANOPERM®	$L_{Fe} = 8,62 \text{ cm}$	$A_{Fe} = 0,09 \text{ cm}^2$
Permeability level:	30 000	@ frequency 10 kHz	@ H peak 3,28 mA/cm

3. Inspection values (at room temperature, unless otherwise stated)			
Measured value	Measurement limits	Frequency	leff x N [mA x turn]
AL [μH]	2,8 - 5,7	10 kHz	20
AL [μH]	1,4 - NA	100 kHz	20

4. Core finishing	
Type:	Cased
Marking:	MAGNETEC M-309-02 YM (YM = Year/Month), acc. to IEC 60062 6.1.1
Packaging:	35 pcs. per layer; 9 layers per carton box; PU = 315 pcs.

5. Comments
Visit http://www.magnetec.de/fileadmin/pdf/pb_ds.pdf for further information.

Index / Revision	Alteration	Date
02 / 01	Product Specification	05.10.2006
02 / 02	Packaging: PU = 315 pcs	06.12.2006
02 / 03	100kHz lower limit defined	14.11.2014

Created:	Z. Palánki 14.11.2014	Approved (Techn):	F. Záborszky 27.01.2015	Approved (Quality):	J. Gulyás 27.01.2015	Released:	T. Trupp 27.01.2015
-----------------	--------------------------	--------------------------	----------------------------	----------------------------	-------------------------	------------------	------------------------

CONFIDENTIAL - Reproduction, publication and dissemination of this publication, enclosures hereto and the information contained therein is prohibited without MAGNETEC's prior written consent. Disclosing the specification to third parties or using its content without written permission from MAGNETEC is strictly forbidden and every offender is liable to pay the corresponding damages .