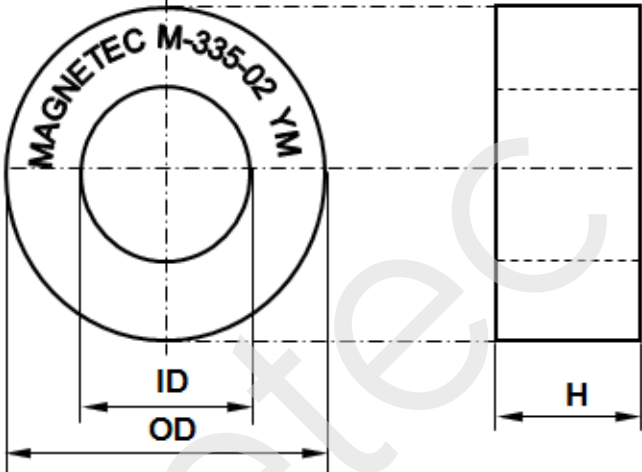


CONFIDENTIAL - Reproduction, publication and dissemination of this publication, enclosures hereto and the information contained therein is prohibited without MAGNETEC's prior written consent.

Client:	MAGNETEC GmbH	Magnetec P/N:	M-335		
Client's P/N:	/	PS Index:	02	PS Revision:	03
Subject:	EMC Wandler				

1. Mechanical Outline	
Nominal equivalent round core: 70,0 x 65,0 x 5,0 Finished product dimensions: OD \leq 72,0 ID \geq 61,4 H \leq 7,5 [dimensions] = mm	

2. Core data (nominal values)			
Core material:	NANOPERM®	$L_{Fe} = 21,20 \text{ cm}$	$A_{Fe} = 0,09 \text{ cm}^2$
Permeability level:	30 000	@ frequency 10 kHz	@ H peak 3,30 mA/cm

3. Inspection values (at room temperature, unless otherwise stated)			
Measured value	Measurement limits	Frequency	leff x N [mA x turn]
AL [μH]	1,1 - 2,3	10 kHz	50
AL [μH]	0,55 - NA	100 kHz	50

4. Core finishing	
Type:	Cased
Marking:	MAGNETEC M-335-02 YM (YM = Year/Month), acc. to IEC 60062 6.1.1
Packaging:	8 pcs. per layer; 10 layers per carton box; PU = 80 pcs.

5. Comments
Visit http://www.magnetec.de/fileadmin/pdf/pb_ds.pdf for further information.

Index / Revision	Alteration	Date
02 / 01	Product specification	06.10.2006
02 / 02	PU= 80 pcs	07.11.2006
02 / 03	100 kHz AL limit added	25.07.2014

Created:	Z. Palánki 25.07.2014	Approved (Techn):	F. Záborszky 31.07.2014	Approved (Quality):	J. Gulyás 31.07.2014	Released:	T. Trupp 31.07.2014
-----------------	--------------------------	--------------------------	----------------------------	----------------------------	-------------------------	------------------	------------------------

CONFIDENTIAL - Reproduction, publication and dissemination of this publication, enclosures hereto and the information contained therein is prohibited without MAGNETEC's prior written consent. Disclosing the specification to third parties or using its content without written permission from MAGNETEC is strictly forbidden and every offender is liable to pay the corresponding damages.