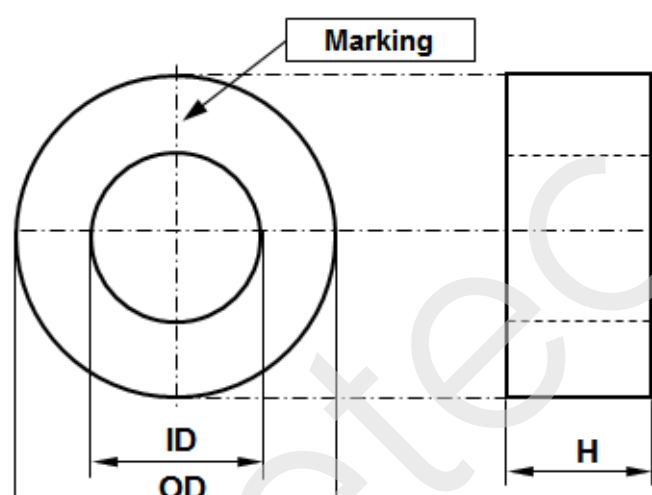


CONFIDENTIAL - Reproduction, publication and dissemination of this publication, enclosures hereto and the information contained therein is prohibited without MAGNETEC 's prior written consent.

Client:	MAGNETEC	Magnetec P/N:	M-336		
Client's P/N:	-	PS Index:	01	PS Revision:	02
Subject:	EMC Wandler				

1. Mechanical Outline	
Nominal equivalent round core: 139,5 x 86 x 25 Finished product dimensions: OD ≤ 141,8 ID ≥ 83,6 H ≤ 27,5 [dimensions] = mm OD min = 139,8 ID max = 85,6 H min = 26,5	

2. Core data (nominal values)			
Core material:	NANOPERM®	$L_{Fe} = 34,75 \text{ cm}$	$A_{Fe} = 4,88 \text{ cm}^2$
Permeability level:	ca. 25.000	@ frequency 10 kHz	@ H peak 3,26 mA/cm

3. Inspection values (at room temperature, unless otherwise stated)			
Measured value	Measurement limits	Frequency	leff x N [mA x turn]
AL [μH]	28,0 - 56,0	10 kHz	80,0

4. Core finishing	
Type:	Epoxy coated
Marking:	MAGNETEC M-336-01 YM (YM = Year/Month), acc. to IEC 60062 6.1.1
Packaging:	1 pcs. per layer; 3 layers per carton box; PU = 3 pcs.

5. Comments	
Visit http://www.magnetec.de/fileadmin/pdf/pb_ds.pdf for further information.	

Index / Revision	Alteration	Date
01 / 01	Product Specification	15.06.2006
01 / 02	Packaging change	28.02.2017

Created:	Z. Palánki 28.02.2017	Approved (Techn):	F. Zámbořszky 22.03.2017	Approved (Quality):	G. Zsák 22.03.2017	Released:	T. Trupp 07.04.2017
-----------------	--------------------------	--------------------------	-----------------------------	----------------------------	-----------------------	------------------	------------------------

CONFIDENTIAL - Reproduction, publication and dissemination of this publication, enclosures hereto and the information contained therein is prohibited without MAGNETEC's prior written consent. Disclosing the specification to third parties or using its content without written permission from MAGNETEC is strictly forbidden and every offender is liable to pay the corresponding damages .