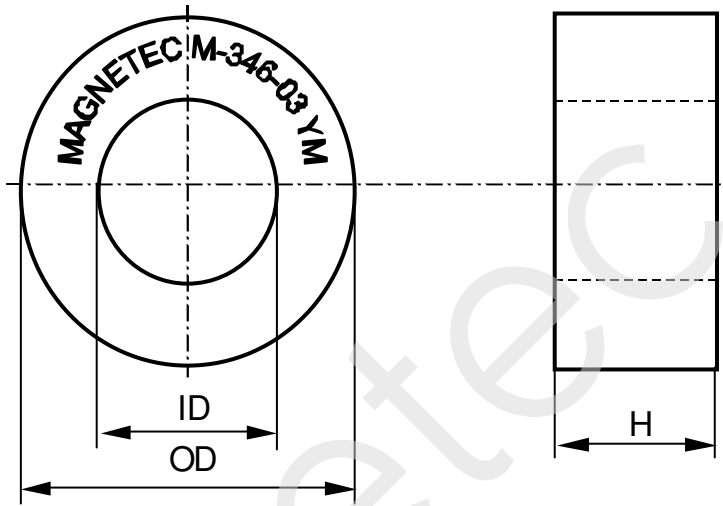


CONFIDENTIAL - Reproduction, publication and dissemination of this publication, enclosures hereto and the information contained therein is prohibited without MAGNETEC's prior written consent.

Client:	MAGNETEC GmbH	Magnetec P/N:	M-346		
Client's P/N:	/	PS Index:	03	PS Revision:	02
Subject:	CT Wandler				

1. Mechanical Outline	
Nominal equivalent round core: 17 x 10,4 x 8 Finished product dimensions: OD \leq 18,8 ID \geq 9,0 H \leq 10,0 [dimensions] = mm	

2. Core data (nominal values)			
Core material:	NANOPERM®	$L_{Fe} =$ 4,22 cm	$A_{Fe} =$ 0,21 cm²
Permeability level:	~ 150.000	@ frequency 50 Hz	@ H peak 3,35 mA/cm

3. Inspection values (at room temperature, unless otherwise stated)			
Measured value	Measurement limits	Frequency	leff x N [mA x turn]
AL [μH]	66 - 132	50 Hz	10

4. Core finishing	
Type:	Cased
Marking:	MAGNETEC M-346-03 YM
Packaging:	110 pcs. per layer; 8 layers per carton box; PU = 880 pcs.

5. Comments
 Visit http://www.magnetec.de/fileadmin/pdf/pb_ds.pdf for further information.

Index / Revision	Alteration	Date
02S / 00	Sample	28.04.2006
02 / 01	Product Specification	09.05.2007
03 / 02	Cased version	01.08.2008

Created:	Á. Kovách 01.08.2008	Approved (Techn):	F. Zámbořszky 15.08.2008	Approved (Quality):	V. Kaposztas 15.08.2008	Released:	F. Rauscher 15.08.2008
-----------------	-------------------------	--------------------------	-----------------------------	----------------------------	----------------------------	------------------	---------------------------

CONFIDENTIAL - Reproduction, publication and dissemination of this publication, enclosures hereto and the information contained therein is prohibited without MAGNETEC's prior written consent. Disclosing the specification to third parties or using its content without written permission from MAGNETEC is strictly forbidden and every offender is liable to pay the corresponding damages.