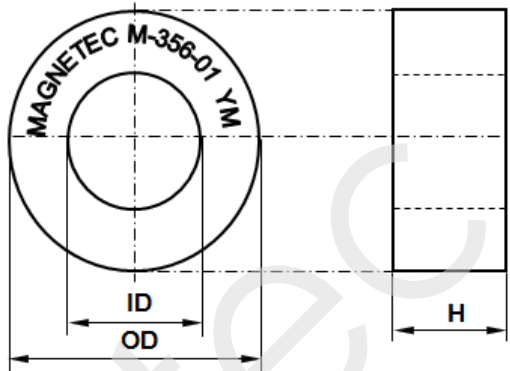


CONFIDENTIAL - Reproduction, publication and dissemination of this publication, enclosures hereto and the information contained therein is prohibited without MAGNETEC 's prior written consent.

Client:	MAGNETEC	Magnetec P/N:	M-356		
Client's P/N:	/	PS Index:	01	PS Revision:	03
Subject:	EMC Wandler				

1. Mechanical Outline	
Nominal equivalent round core: 50 x 40 x 20 Finished product dimensions: OD ≤ 52,5 ID ≥ 36,9 H ≤ 22,5 [dimensions] = mm Dimensions of the epoxy coated core*	

2. Core data (nominal values)			
Core material:	NANOPERM®	$L_{Fe} = 14,08 \text{ cm}$	$A_{Fe} = 0,80 \text{ cm}^2$
Permeability level:	85 000	@ frequency 10 kHz	@ H peak 3,01 mA/cm

3. Inspection values (at room temperature, unless otherwise stated)			
Measured value	Measurement limits	Frequency	$l_{eff} \times N$ [mA x turn]
AL [μH]	40 - 80	10 kHz	30
AL [μH]	10 - NA	100 kHz	30

4. Core finishing	
Type:	Epoxy coated and foil bandaged
Marking:	MAGNETEC M-356-01 YM (YM = Year/Month), acc. to IEC 60062 6.1.1
Packaging:	15 pcs. per layer; 4 layers per carton box; PU = 60 pcs.

5. Comments	
* The foil bandaging can increase the geometry even by ca .1 mm. Visit http://www.magnetec.de/fileadmin/pdf/pb_ds.pdf for further information.	

Index / Revision	Alteration	Date
01 / 01	Product specification	08.06.2005
01 / 02	New form	12.05.2006
01 / 03	Clarification of product dimension, nominal permeability and 10kHz upper limit given, define 100kHz lower limit	21.10.2014

Created:	Z. Palánki 21.10.2014	Approved (Techn):	F. Zámbořský 11.11.2014	Approved (Quality):	J. Gulyás 11.11.2014	Released:	T. Trupp 11.11.2014
-----------------	--------------------------	--------------------------	----------------------------	----------------------------	-------------------------	------------------	------------------------

CONFIDENTIAL - Reproduction, publication and dissemination of this publication, enclosures hereto and the information contained therein is prohibited without MAGNETEC's prior written consent. Disclosing the specification to third parties or using its content without written permission from MAGNETEC is strictly forbidden and every offender is liable to pay the corresponding damages.