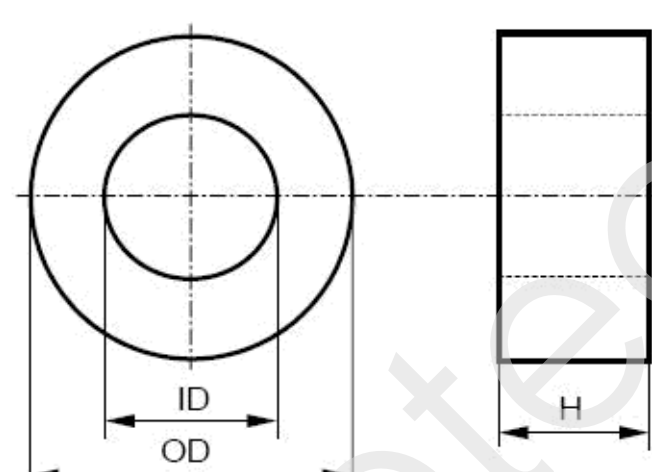


CONFIDENTIAL - Reproduction, publication and dissemination of this publication, enclosures hereto and the information contained therein is prohibited without MAGNETEC 's prior written consent.

Client:	MAGNETEC	Magnetec P/N:	M-3624		
Client's P/N:		PS Index:	03	PS Revision:	02
Subject:	EMC Wandler				

1. Mechanical Outline	
Nominal equivalent round core: 28 x 17 x 10 Finished product dimensions: OD \leq 31.5 ID \geq 13.7 H \leq 13.0 [dimensions] = mm	

2. Core data (nominal values)			
Core material:	NANOPERM®	$L_{Fe} = 7.06 \text{ cm}$	$A_{Fe} = 0.44 \text{ cm}^2$
Permeability level:	110 000	@ frequency 10 kHz	@ H peak

3. Inspection values (at room temperature, unless otherwise stated)			
Measured value	Measurement limits	Frequency	leff x N [mA x turn]
AL [μH]	63.0 - NA	10 kHz	0.3V, RT

4. Core finishing	
Type:	Cased
Marking:	MAGNETEC M-3624-03 YM (YM = Year/Month), acc. to IEC 60062:2004 6.1.1
Packaging:	54 pcs. per layer; 6 layers per carton box; PU = 324 pcs.

5. Comments	
Visit http://www.magnetec.de/fileadmin/pdf/pb_ds.pdf for further information.	

Index / Revision	Alteration	Date
01/01	Create	06.19.2013
02/01	Revise AL values	11.21.2013
03/01	Revise dimensions	02.03.2015
03/02	1) Add packaging information; 2) Revise dimension H for finished core	09.12.2021

Created:	Y. Zhou 09.12.2021	Approved (Techn):	P. Seiz 15.03.2022	Approved (Quality):	Jacky Jianning Chen 15.03.2022	Released:	San Yusen Zhou 15.03.2022
-----------------	-----------------------	--------------------------	-----------------------	----------------------------	--------------------------------------	------------------	---------------------------------

CONFIDENTIAL - Reproduction, publication and dissemination of this publication, enclosures hereto and the information contained therein is prohibited without MAGNETEC's prior written consent. Disclosing the specification to third parties or using its content without written permission from MAGNETEC is strictly forbidden and every offender is liable to pay the corresponding damages .