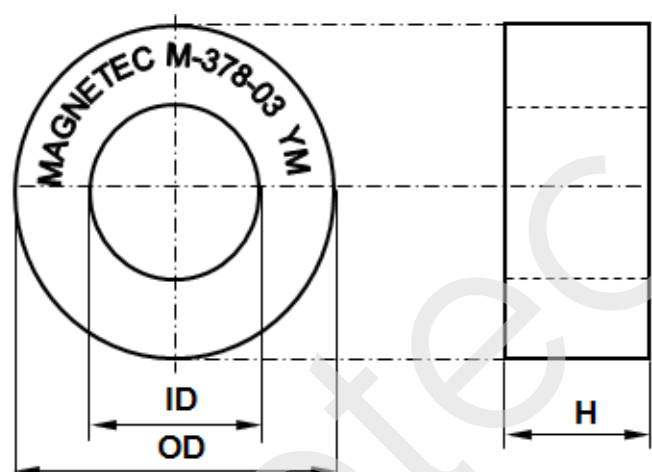


CONFIDENTIAL - Reproduction, publication and dissemination of this publication, enclosures hereto and the information contained therein is prohibited without MAGNETEC's prior written consent.

<b>Client:</b>	<b>MAGNETEC</b>	<b>Magnetec P/N:</b>	<b>M-378</b>		
<b>Client's P/N:</b>	/	<b>PS Index:</b>	<b>03</b>	<b>PS Revision:</b>	<b>03</b>
<b>Subject:</b>	<b>EMC Wandler</b>				

1. Mechanical Outline	
Nominal equivalent round core:  <b>75 x 50 x 30</b>  Finished product dimensions:  OD ≤ 80 ID ≥ 43 H ≤ 33  [dimensions] = mm	

2. Core data (nominal values)			
Core material:	<b>NANOPERM®</b>	$L_{Fe} = 19,37 \text{ cm}$	$A_{Fe} = 2,78 \text{ cm}^2$
Permeability level:	<b>30 000</b>	@ frequency <b>10 kHz</b>	@ H peak <b>3,29 mA/cm</b>

3. Inspection values (at room temperature, unless otherwise stated)			
Measured value	Measurement limits	Frequency	leff x N [mA x turn]
<b>AL [μH]</b>	<b>37,3 - 74,6</b>	<b>10 kHz</b>	<b>45</b>
<b>AL [μH]</b>	<b>22,2 - NA</b>	<b>100 kHz</b>	<b>45</b>

4. Core finishing	
Type:	<b>Cased</b>
Marking:	<b>MAGNETEC M-378-03 YM (YM = Year/Month), acc. to IEC 60062 6.1.1</b>
Packaging:	<b>8 pcs. per layer; 3 layers per carton box; PU = 24 pcs.</b>

5. Comments	
Visit <a href="http://www.magnetec.de/fileadmin/pdf/pb_ds.pdf">http://www.magnetec.de/fileadmin/pdf/pb_ds.pdf</a> for further information.	

Index / Revision	Alteration	Date
03 / 01	Product Specification	11.03.2008
03 / 02	100kHz lower limit defined, end product height decreased	28.05.2014
03 / 03	100 kHz lower limit increased	29.11.2018

<b>Created:</b>	Z. Braxátor 29.11.2018	<b>Approved (Techn):</b>	F. Zámbořszky 12.02.2019	<b>Approved (Quality):</b>	R. Montvai 05.02.2019	<b>Released:</b>	B. Kessler 14.02.2019
-----------------	---------------------------	--------------------------	-----------------------------	----------------------------	--------------------------	------------------	--------------------------

CONFIDENTIAL - Reproduction, publication and dissemination of this publication, enclosures hereto and the information contained therein is prohibited without MAGNETEC's prior written consent. Disclosing the specification to third parties or using its content without written permission from MAGNETEC is strictly forbidden and every offender is liable to pay the corresponding damages.