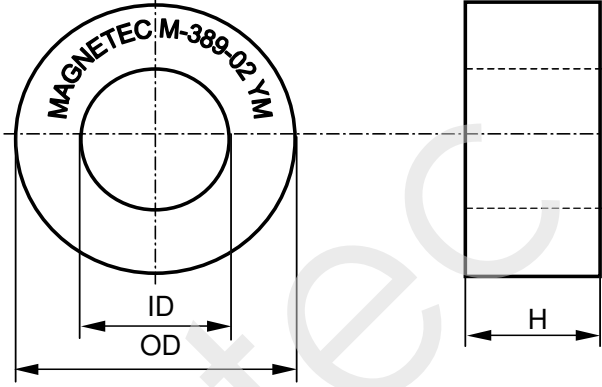


CONFIDENTIAL - Reproduction, publication and dissemination of this publication, enclosures hereto and the information contained therein is prohibited without MAGNETEC's prior written consent.

Client:	MAGNETEC	Magnetec P/N:	M-389		
Client's P/N:	/	PS Index:	02	PS Revision:	03
Subject:	CT WANDLER				

1. Mechanical Outline	
Nominal equivalent round core: 19,1 x 15,2 x 6,0 Finished product dimensions: OD ≤ 20,5 ID ≥ 13,8 H ≤ 7,8 [dimensions] = mm	

2. Core data (nominal values)			
Core material:	NANOPERM®	$L_{Fe} = 5,37 \text{ cm}$	$A_{Fe} = 0,09 \text{ cm}^2$
Permeability level:	3.400	@ frequency 1 kHz	@ H peak 25 mA/cm

3. Inspection values (at room temperature, unless otherwise stated)			
Measured value	Measurement limits	Frequency	$l_{eff} \times N$ [mA x turn]
AL [nH]	658 - 740	1 kHz	95

4. Core finishing	
Type:	Cased
Marking:	MAGNETEC M-389-02 YM (YM = Production year/month)
Packaging:	75 pcs. per layer; 9 layers per carton box; PU = 675 pcs.

5. Comments	
5 % measurement deviation has to be considered, Visit http://www.magnetec.de/fileadmin/pdf/pb_ds.pdf for further information.	

Index / Revision	Alteration	Date
01 / 01	Product specification AL measurement	15.06.2006
02 / 02		18.01.2007
02 / 03	Add one sentence to the comments	

Created:	Z. Braxátor 22.01.2019	Approved (Techn):	F. Záborszky 11.02.2019	Approved (Quality):	G. Zsák 11.02.2019	Released:	P. Seiz 15.03.2019
-----------------	---------------------------	--------------------------	----------------------------	----------------------------	-----------------------	------------------	-----------------------

CONFIDENTIAL - Reproduction, publication and dissemination of this publication, enclosures hereto and the information contained therein is prohibited without MAGNETEC's prior written consent. Disclosing the specification to third parties or using its content without written permission from MAGNETEC is strictly forbidden and every offender is liable to pay the corresponding damages.