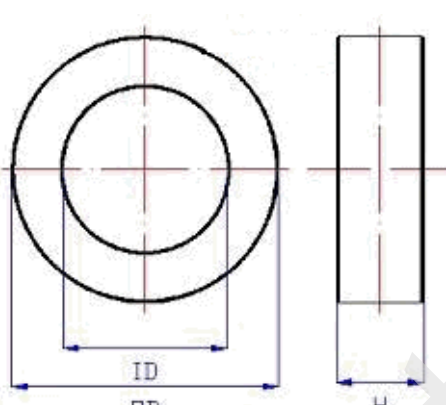


CONFIDENTIAL - Reproduction, publication and dissemination of this publication, enclosures hereto and the information contained therein is prohibited without MAGNETEC's prior written consent.

Client:	MAGNETEC	Magnetec P/N:	M-3994		
Client's P/N:		PS Index:	01	PS Revision:	04
Subject:	EMC Wandler				

1. Mechanical Outline	
Nominal equivalent round core: 19.5 x 13 x 7 Finished product dimensions: OD \leq 23.5 ID \geq 10.2 H \leq 10.2 [dimensions] = mm	

2. Core data (nominal values)			
Core material:	NANOPERM®	$L_{Fe} = 5.1 \text{ cm}$	$A_{Fe} = 0.24 \text{ cm}^2$
Permeability level:	110 000	@ frequency 10 kHz	@ H peak

3. Inspection values (at room temperature, unless otherwise stated)			
Measured value	Measurement limits	Frequency	$I_{eff} \times N$ [mA x turn]
AI [μH]	33.0 - 67.0	10 kHz	0.3V, RT

4. Core finishing	
Type:	Cased
Marking:	None
Packaging:	112 pcs. per layer; 6 layers per carton box; PU = 672 pcs.

5. Comments
Visit http://www.magnetec.de/fileadmin/pdf/pb_ds.pdf for further information.

Index / Revision	Alteration	Date
01 / 04	Revise bare core dimensions	2022/2/21
01 / 03	Update from the old version drawing	2021/3/17
01 / 02	Add case information	2015/11/10
01 / 01	Create	2015/2/2

Created:	San Yusen Zhou 21.02.2022	Approved (Techn):	P. Seiz 22.02.2022	Approved (Quality):	Jacky Jianning Chen 22.02.2022	Released:	San Yusen Zhou 10.03.2022
-----------------	------------------------------	--------------------------	-----------------------	----------------------------	-----------------------------------	------------------	------------------------------

CONFIDENTIAL - Reproduction, publication and dissemination of this publication, enclosures hereto and the information contained therein is prohibited without MAGNETEC's prior written consent. Disclosing the specification to third parties or using its content without written permission from MAGNETEC is strictly forbidden and every offender is liable to pay the corresponding damages.