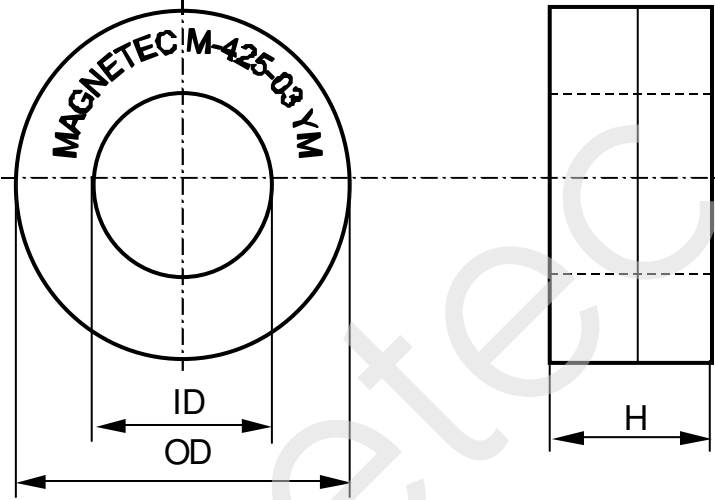


CONFIDENTIAL - Reproduction, publication and dissemination of this publication, enclosures hereto and the information contained therein is prohibited without MAGNETEC 's prior written consent.

<b>Client:</b>	<b>MAGNETEC GmbH</b>	<b>Magnetec P/N:</b>	<b>M-425</b>		
<b>Client's P/N:</b>		<b>PS Index:</b>	<b>03</b>	<b>PS Revision:</b>	<b>01</b>
<b>Subject:</b>	<b>EMC Wandler</b>				

1. Mechanical Outline	
Nominal equivalent round core:  <b>63,0 x 50,0 x 30,0</b>  Finished product dimensions:  OD ≤ <b>68,0</b> ID ≥ <b>43,0</b> H ≤ <b>36,0</b>  [dimensions] = mm	

2. Core data (nominal values)			
Core material:	<b>NANOPERM®</b>	$L_{Fe} = 17,7 \text{ cm}$	$A_{Fe} = 1,43 \text{ cm}^2$
Permeability level:	≥ <b>85 000</b>	@ frequency <b>50 Hz</b>	@ H peak <b>3,2 mA/cm</b>

3. Inspection values (at room temperature, unless otherwise stated)			
Measured value	Measurement limits	Frequency	$l_{eff} \times N$ [mA x turn]
<b>AL [μH]</b>	<b>90 - NA</b>	<b>50 Hz</b>	<b>40,0</b>

4. Core finishing	
Type:	<b>cased</b>
Marking:	<b>MAGNETEC - M-425-03 YM</b>
Packaging:	<b>8 pcs. per layer; 2 layers per carton box; PU = 16 pcs.</b>

5. Comments
Visit <a href="http://www.magnetec.de/fileadmin/pdf/pb_ds.pdf">http://www.magnetec.de/fileadmin/pdf/pb_ds.pdf</a> for further information.

Index / Revision	Alteration	Date
03 / 01	Product Specification	25.04.2008

<b>Created:</b>	Á. Kovách 25.04.2008	<b>Approved (Techn):</b>	Dr. Zamborszky Ferenc 16.05.2008	<b>Approved (Quality):</b>	Viktor Kaposztas 04.06.2008	<b>Released:</b>	F. Rauscher 16.05.2008
-----------------	-------------------------	--------------------------	--	----------------------------	--------------------------------	------------------	---------------------------

CONFIDENTIAL - Reproduction, publication and dissemination of this publication, enclosures hereto and the information contained therein is prohibited without MAGNETEC's prior written consent. Disclosing the specification to third parties or using its content without written permission from MAGNETEC is strictly forbidden and every offender is liable to pay the corresponding damages .