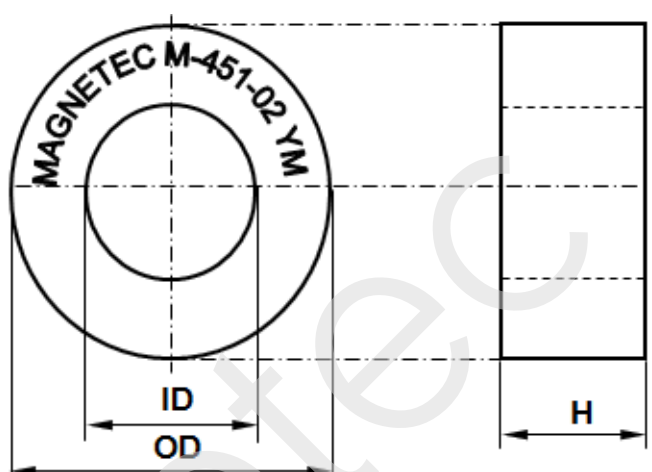


CONFIDENTIAL - Reproduction, publication and dissemination of this publication, enclosures hereto and the information contained therein is prohibited without MAGNETEC's prior written consent.

Client:	MAGNETEC	Magnetec P/N:	M-451		
Client's P/N:	/	PS Index:	02	PS Revision:	05
Subject:	EMC Wandler				

1. Mechanical Outline	
Nominal equivalent round core: 40 x 32 x 15 Finished product dimensions: OD ≤ 43,1 ID ≥ 28,8 H ≤ 17,5 [dimensions] = mm	

2. Core data (nominal values)			
Core material:	NANOPERM®	$L_{Fe} = 11,26 \text{ cm}$	$A_{Fe} = 0,45 \text{ cm}^2$
Permeability level:	8 000	@ frequency 10 kHz	@ H peak 3 mA/cm

3. Inspection values (at room temperature, unless otherwise stated)			
Measured value	Measurement limits	Frequency	leff x N [mA x turn]
AL1 [µH]	2,82 - 5,62	10 kHz	24,0
AL2 [µH]	2,39 - 4,77	100 kHz	24,0

4. Core finishing	
Type:	Cased
Marking:	MAGNETEC M-451-02 YM (YM = Year/Month), acc. to IEC 62 5.1
Packaging:	24 pcs. per layer; 5 layers per carton box; PU = 120 pcs.

5. Comments	
Visit http://www.magnetec.de/fileadmin/pdf/pb_ds.pdf for further information.	

Index / Revision	Alteration	Date
01 / 01	Product Specification	04.01.2008
01 / 02	AL limit and working point change	22.10.2010
02 / 03	Case material Ultramid; Case height ≤ 17,4 mm and outer diameter ≤ 43,1 mm	15.04.2011
02 / 04	Marking corrected, PU = 120 pcs.	25.02.2013
02 / 05	Harmonization of part and finished product dimensions	17.01.2020

Created:	Z. Braxátor 17.01.2020	Approved (Techn):	F. Zámbořský 17.01.2020	Approved (Quality):	G. Zsák 17.01.2020	Released:	B. Kessler 17.01.2020
-----------------	---------------------------	--------------------------	----------------------------	----------------------------	-----------------------	------------------	--------------------------

CONFIDENTIAL - Reproduction, publication and dissemination of this publication, enclosures hereto and the information contained therein is prohibited without MAGNETEC's prior written consent. Disclosing the specification to third parties or using its content without written permission from MAGNETEC is strictly forbidden and every offender is liable to pay the corresponding damages.