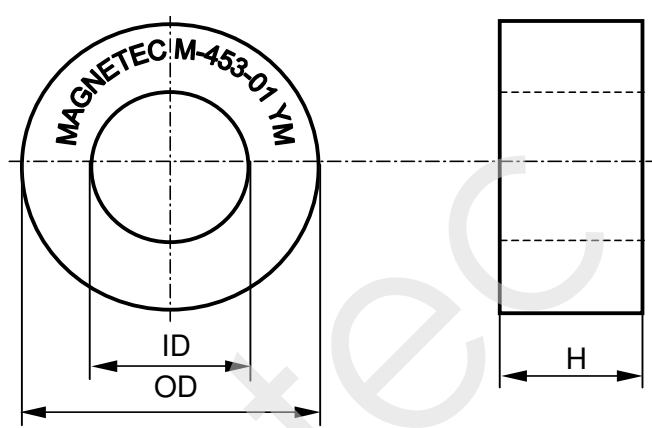


CONFIDENTIAL - Reproduction, publication and dissemination of this publication, enclosures hereto and the information contained therein is prohibited without MAGNETEC's prior written consent.

Client:	MAGNETEC	Magnetec P/N:	M-453		
Client's P/N:	/	PS Index:	01	PS Revision:	03
Subject:	EMC Wandler				

1. Mechanical Outline	
Nominal equivalent round core: 80 x 63 x 30 Finished product dimensions: OD \leq 86,0 ID \geq 56,0 H \leq 36,0 [dimensions] = mm	

2. Core data (nominal values)			
Core material:	NANOPERM®	$L_{Fe} = 22,21 \text{ cm}$	$A_{Fe} = 1,90 \text{ cm}^2$
Permeability level:	8 000	@ frequency 10 kHz	@ H peak 3 mA/cm

3. Inspection values (at room temperature, unless otherwise stated)			
Measured value	Measurement limits	Frequency	leff x N [mA x turn]
AL [μH]	6,02 - 12,02	10 kHz	47
AL [μH]	5,12 - 10,22	100 kHz	47

4. Core finishing	
Type:	Cased
Marking:	MAGNETEC M-453-01 YM
Packaging:	6 pcs. per layer; 2 layers per carton box; PU = 12 pcs.

5. Comments
Visit http://www.magnetec.de/fileadmin/pdf/pb_ds.pdf for further information.

Index / Revision	Alteration	Date
01 / 01	Product Specification	12.09.2008
01 / 02	AL limit and working point change	22.10.2010
01 / 03	Finished product dimension change	27.07.2012

Created:	Z. Palánki 27.07.2012	Approved (Techn):	F. Zámbořszky 30.07.2012	Approved (Quality):	J. Gulyás 07.08.2012	Released:	F. Rauscher 07.08.2012
-----------------	--------------------------	--------------------------	-----------------------------	----------------------------	-------------------------	------------------	---------------------------

CONFIDENTIAL - Reproduction, publication and dissemination of this publication, enclosures hereto and the information contained therein is prohibited without MAGNETEC's prior written consent. Disclosing the specification to third parties or using its content without written permission from MAGNETEC is strictly forbidden and every offender is liable to pay the corresponding damages.