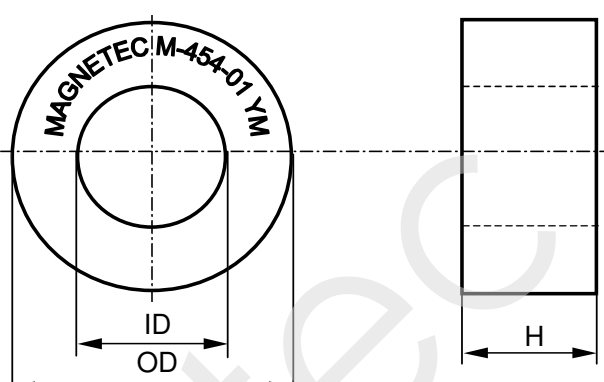


CONFIDENTIAL - Reproduction, publication and dissemination of this publication, enclosures hereto and the information contained therein is prohibited without MAGNETEC's prior written consent.

Client:	MAGNETEC GmbH	Magnetec P/N:	M-454		
Client's P/N:	/	PS Index:	01	PS Revision:	03
Subject:	EMC Wandler				

1. Mechanical Outline	
Nominal equivalent round core: 102 x 76 x 25 Finished product dimensions: OD \leq 108,1 ID \geq 70,0 H \leq 30,3 [dimensions] = mm	

2. Core data (nominal values)			
Core material:	NANOPERM®	$L_{Fe} = 27,76 \text{ cm}$	$A_{Fe} = 2,41 \text{ cm}^2$
Permeability level:	8.000	@ frequency 10 kHz	@ H peak 3 mA/cm

3. Inspection values (at room temperature, unless otherwise stated)			
Measured value	Measurement limits	Frequency	$l_{eff} \times N$ [mA x turn]
AL [μH]	6,10 - 12,19	10 kHz	59
AL [μH]	5,19 - 10,36	100 kHz	59

4. Core finishing	
Type:	Cased
Marking:	MAGNETEC M-454-01 YM
Packaging:	4 pcs. per layer; 3 layers per carton box; PU = 12 pcs.

5. Comments
Visit http://www.magnetec.de/fileadmin/pdf/pb_ds.pdf for further information.

Index / Revision	Alteration	Date
01 / 01	Product Specification	20.09.2007
01 / 02	Correction of AL limits	16.01.2008
01 / 03	AL limit and working point change	22.10.2010

Created:	Z. Palánki 22.10.2010	Approved (Techn):	F. Záborszky 22.10.2010	Approved (Quality):	V. Káposztás 22.10.2010	Released:	F. Rauscher 22.10.2010
-----------------	--------------------------	--------------------------	----------------------------	----------------------------	----------------------------	------------------	---------------------------

CONFIDENTIAL - Reproduction, publication and dissemination of this publication, enclosures hereto and the information contained therein is prohibited without MAGNETEC's prior written consent. Disclosing the specification to third parties or using its content without written permission from MAGNETEC is strictly forbidden and every offender is liable to pay the corresponding damages.