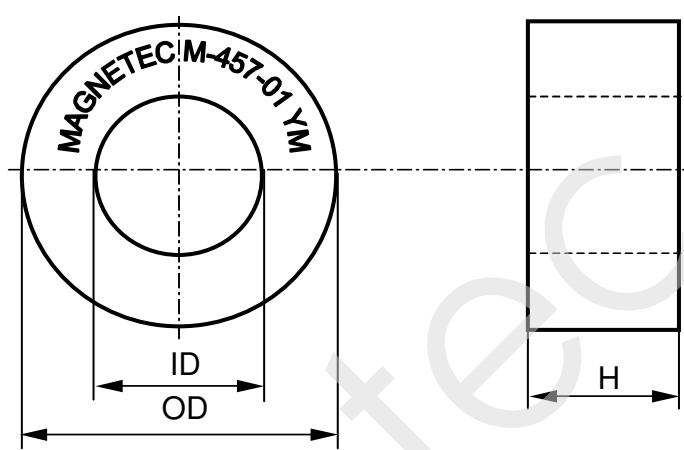


CONFIDENTIAL - Reproduction, publication and dissemination of this publication, enclosures hereto and the information contained therein is prohibited without MAGNETEC's prior written consent.

Client:	MAGNETEC	Magnetec P/N:	M-457		
Client's P/N:	/	PS Index:	01	PS Revision:	05
Subject:	EMC Wandler				

1. Mechanical Outline	
Nominal equivalent round core: 200 x 175 x 30 Finished product dimensions: OD \leq 208,0 ID \geq 166,0 H \leq 37,0 [dimensions] = mm	

2. Core data (nominal values)			
Core material:	NANOPERM®	$L_{Fe} = 57,96 \text{ cm}$	$A_{Fe} = 2,72 \text{ cm}^2$
Permeability level:	8.000	@ frequency 10 kHz	@ H peak 3 mA/cm

3. Inspection values (at room temperature, unless otherwise stated)			
Measured value	Measurement limits	Frequency	leff x N [mA x turn]
AL [μH]	3,31 - 6,60	10 kHz	123,0
AL [μH]	2,81 - 5,61	100 kHz	123,0

4. Core finishing	
Type:	Cased
Marking:	MAGNETEC M-457-01 YM
Packaging:	1 pcs. per layer; 2 layers per carton box; PU = 2 pcs.

5. Comments
Visit http://www.magnetec.de/fileadmin/pdf/pb_ds.pdf for further information.

Index / Revision	Alteration	Date
01 / 03	AL limit and working point change	22.10.2010
01 / 04	Finished product dimensions corrected	07.03.2012
01 / 05	Finished product dimensions corrected	05.10.2012

Created:	Z. Palánki 05.10.2012	Approved (Techn):	F. Zámboorszky 08.10.2012	Approved (Quality):	J. Gulyás 09.10.2012	Released:	F. Rauscher 09.10.2012
-----------------	--------------------------	--------------------------	------------------------------	----------------------------	-------------------------	------------------	---------------------------

CONFIDENTIAL - Reproduction, publication and dissemination of this publication, enclosures hereto and the information contained therein is prohibited without MAGNETEC's prior written consent. Disclosing the specification to third parties or using its content without written permission from MAGNETEC is strictly forbidden and every offender is liable to pay the corresponding damages.