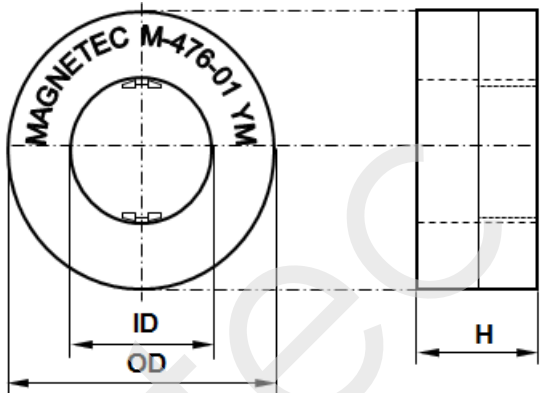


CONFIDENTIAL - Reproduction, publication and dissemination of this publication, enclosures hereto and the information contained therein is prohibited without MAGNETEC's prior written consent.

Client:	MAGNETEC	Magnetec P/N:	M-476		
Client's P/N:	/	PS Index:	01	PS Revision:	04
Subject:	EMC Wandler				

1. Mechanical Outline	
Nominal equivalent round core: 60 x 40 x 30 Finished product dimensions: OD ≤ 63,5 ID ≥ 35,5 H ≤ 35,0 [dimensions] = mm	

2. Core data (nominal values)			
Core material:	NANOPERM®	$L_{Fe} = 15,7 \text{ cm}$	$A_{Fe} = 2,40 \text{ cm}^2$
Permeability level:	30 000	@ frequency 10 kHz	@ H peak 2,7 mA/cm

3. Inspection values (at room temperature, unless otherwise stated)			
Measured value	Measurement limits	Frequency	$I_{eff} \times N$ [mA x turn]
AL [μH]	34,8 - 78	10 kHz	30,0
AL [μH]	17,4 - NA	100 kHz	30,0

4. Core finishing	
Type:	Glued into case
Marking:	MAGNETEC M-476-01 YM (YM = Year/Month), acc. to IEC 60062 6.1.1
Packaging:	10 pcs. per layer; 2 layers per carton box; PU = 20 pcs.

5. Comments	
Visit http://www.magnetec.de/fileadmin/pdf/pb_ds.pdf for further information.	

Index / Revision	Alteration	Date
01 / 01	Product specification	02.02.2007
01 / 02	100kHz lower limit defined	24.11.2014
01 / 03	Taping around on outer circumference	17.04.2015
01 / 04	Changing to glue fixation	09.11.2015

Created:	Z. Palánki 09.11.2015	Approved (Techn):	F. Zámbořský 14.01.2016	Approved (Quality):	J. Gulyás 14.01.2016	Released:	T. Trupp 14.01.2016
-----------------	--------------------------	--------------------------	----------------------------	----------------------------	-------------------------	------------------	------------------------

CONFIDENTIAL - Reproduction, publication and dissemination of this publication, enclosures hereto and the information contained therein is prohibited without MAGNETEC's prior written consent. Disclosing the specification to third parties or using its content without written permission from MAGNETEC is strictly forbidden and every offender is liable to pay the corresponding damages.