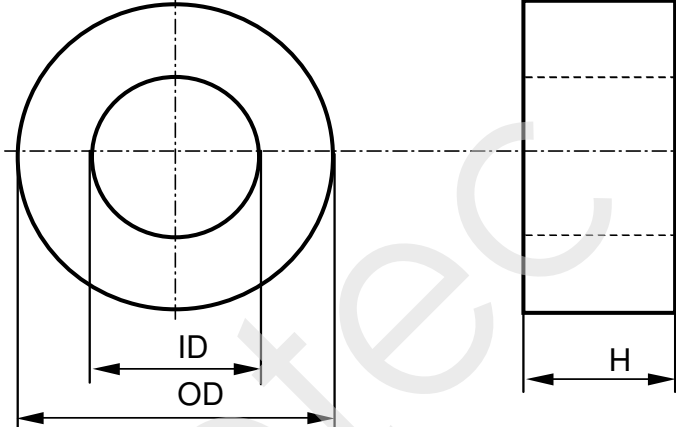


CONFIDENTIAL - Reproduction, publication and dissemination of this publication, enclosures hereto and the information contained therein is prohibited without MAGNETEC 's prior written consent.

Client:	MAGNETEC GmbH	Magnetec P/N:	M-485		
Client's P/N:	/	PS Index:	01	PS Revision:	04
Subject:	CT Wandler				

1. Mechanical Outline	
Nominal equivalent round core: 30 x 21 x 5 Finished product dimensions: OD \leq 31,8 ID \geq 19,2 H \leq 6,9 [dimensions] = mm	

2. Core data (nominal values)			
Core material:	NANOPERM®	$L_{Fe} = 7,93 \text{ cm}$	$A_{Fe} = 0,17 \text{ cm}^2$
Permeability level:	1.600	@ frequency 1 kHz	@ H peak 18 mA/cm

3. Inspection values (at room temperature, unless otherwise stated)			
Measured value	Measurement limits	Frequency	I _{eff} x N [mA x turn]
AI [nH]	414 - 468	1 kHz	100

4. Core finishing	
Type:	Cased
Marking:	none
Packaging:	35 pcs. per layer; 9 layers per carton box; PU = 315 pcs.

5. Comments
5 % measurement deviation has to be considered, Visit http://www.magnetec.de/fileadmin/pdf/pb_ds.pdf for further information.

Index / Revision	Alteration	Date
01 / 01	Product Specification	06.06.2007
01 / 02	I _{eff} x N = 100mA x 1 turn	02.09.2009
01 / 03	Maximum height corrected	10.11.2014
01 / 04	Add one sentence to the comments	

Created:	Z. Braxátor 29.01.2019	Approved (Techn):	F. Zámbořszky 11.02.2019	Approved (Quality):	G. Zsák 11.02.2019	Released:	P. Seiz 15.03.2019
-----------------	---------------------------	--------------------------	-----------------------------	----------------------------	-----------------------	------------------	-----------------------

CONFIDENTIAL - Reproduction, publication and dissemination of this publication, enclosures hereto and the information contained therein is prohibited without MAGNETEC's prior written consent. Disclosing the specification to third parties or using its content without written permission from MAGNETEC is strictly forbidden and every offender is liable to pay the corresponding damages .