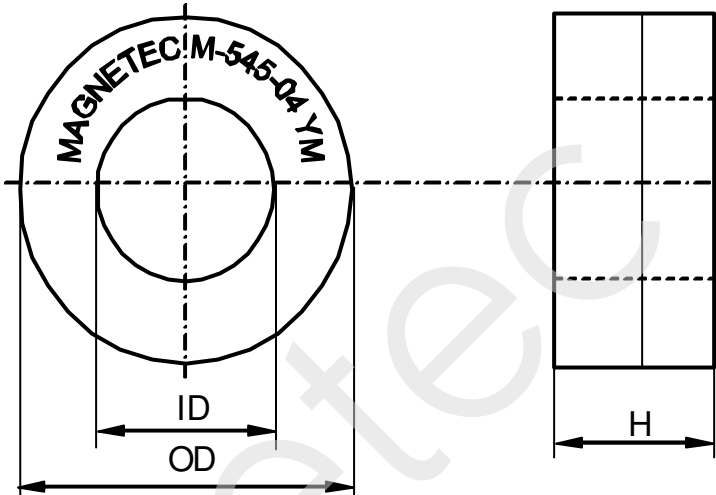


CONFIDENTIAL - Reproduction, publication and dissemination of this publication, enclosures hereto and the information contained therein is prohibited without MAGNETEC's prior written consent.

Client:	MAGNETEC GmbH	Magnetec P/N:	M-545		
Client's P/N:	/	PS Index:	04	PS Revision:	03
Subject:	EMC Wandler				

1. Mechanical Outline	
Nominal equivalent round core: 61,6 x 38 x 16 Finished product dimensions: OD ≤ 64,0 ID ≥ 35,5 H ≤ 18,7 [dimensions] = mm	

2. Core data (nominal values)			
Core material:	NANOPERM®	$L_{Fe} = 15,36 \text{ cm}$	$A_{Fe} = 1,46 \text{ cm}^2$
Permeability level:	8.000	@ frequency 10 kHz	@ H peak 25 mA/cm

3. Inspection values (at room temperature, unless otherwise stated)			
Measured value	Measurement limits	Frequency	$l_{eff} \times N$ [mA x turn]
AL [μH]	7,64 - 13,38	10 kHz	272

4. Core finishing	
Type:	Cased
Marking:	MAGNETEC M-545-04 YM
Packaging:	10 pcs. per layer; 4 layers per carton box; PU = 40 pcs.

5. Comments
Visit http://www.magnetec.de/fileadmin/pdf/pb_ds.pdf for further information.

Index / Revision	Alteration	Date
04 / 01	Product Specification	14.01.2008
04 / 02	Date code standard and RoHS complaint checked	18.03.2010
04 / 03	Harmonization of part and finished product dimensions	15.01.2020

Created:	Z. Braxátor 15.01.2020	Approved (Techn):	F. Zámbořszky 15.01.2020	Approved (Quality):	G. Zsák 15.01.2020	Released:	B. Kessler 15.01.2020
-----------------	---------------------------	--------------------------	-----------------------------	----------------------------	-----------------------	------------------	--------------------------

CONFIDENTIAL - Reproduction, publication and dissemination of this publication, enclosures hereto and the information contained therein is prohibited without MAGNETEC's prior written consent. Disclosing the specification to third parties or using its content without written permission from MAGNETEC is strictly forbidden and every offender is liable to pay the corresponding damages.