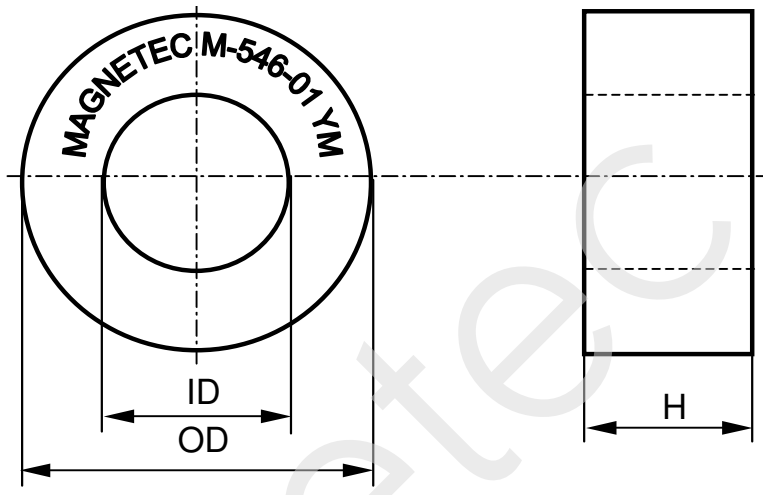


CONFIDENTIAL - Reproduction, publication and dissemination of this publication, enclosures hereto and the information contained therein is prohibited without MAGNETEC's prior written consent.

Client:	MAGNETEC	Magnetec P/N:	M-546		
Client's P/N:	/	PS Index:	01	PS Revision:	01
Subject:	CT Wandler				

1. Mechanical Outline	
Nominal equivalent round core: 32 x 24 x 12 Finished product dimensions: OD ≤ 34,0 ID ≥ 21,0 H ≤ 14,0 [dimensions] = mm	

2. Core data (nominal values)			
Core material:	NANOPERM®	$L_{Fe} = 8,61 \text{ cm}$	$A_{Fe} = 0,36 \text{ cm}^2$
Permeability level:	> 60.000	@ frequency 50 Hz	@ H peak 4 mA/cm

3. Inspection values (at room temperature, unless otherwise stated)			
Measured value	Measurement limits	Frequency	$I_{eff} \times N$ [mA x turn]
AI [μH]	32 - NA	50 Hz	24,4

4. Core finishing	
Type:	Epoxy coated
Marking:	MAGNETEC M-546-01 YM
Packaging:	25 pcs. per layer; 5 layers per carton box; PU = 125 pcs.

5. Comments	
Visit http://www.magnetec.de/fileadmin/pdf/pb_ds.pdf for further information.	

Index / Revision	Alteration	Date
01 / 01	Product Specification	20.02.2008

Created:	Zs. Sándor 20.02.2008	Approved (Techn):	F. Zámboorszky 20.02.2008	Approved (Quality):	V. Káposztas 20.02.2008	Released:	F. Zámboorszky 26.02.2008
-----------------	--------------------------	--------------------------	------------------------------	----------------------------	----------------------------	------------------	------------------------------

CONFIDENTIAL - Reproduction, publication and dissemination of this publication, enclosures hereto and the information contained therein is prohibited without MAGNETEC's prior written consent. Disclosing the specification to third parties or using its content without written permission from MAGNETEC is strictly forbidden and every offender is liable to pay the corresponding damages.