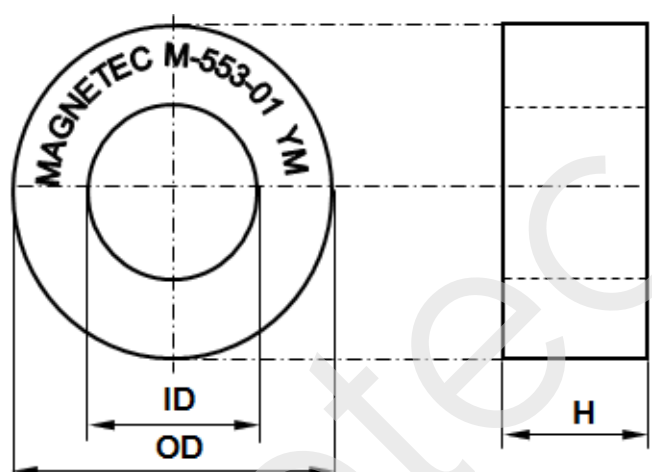


CONFIDENTIAL - Reproduction, publication and dissemination of this publication, enclosures hereto and the information contained therein is prohibited without MAGNETEC's prior written consent.

Client:	MAGNETEC	Magnetec P/N:	M-553		
Client's P/N:	/	PS Index:	01	PS Revision:	02
Subject:	EMC Wandler				

1. Mechanical Outline	
Nominal equivalent round core: 100 x 80 x 25 Finished product dimensions: OD \leq 104,0 ID \geq 75,0 H \leq 28,0 [dimensions] = mm	

2. Core data (nominal values)			
Core material:	NANOPERM®	$L_{Fe} = 27,7 \text{ cm}$	$A_{Fe} = 1,72 \text{ cm}^2$
Permeability level:	30 000	@ frequency 10 kHz	@ H peak 3 mA/cm

3. Inspection values (at room temperature, unless otherwise stated)			
Measured value	Measurement limits	Frequency	I _{eff} x N [mA x turn]
AL [μH]	15,6 - 31,2	10 kHz	60
AL [μH]	8,2 - NA	100 kHz	60
PFe [W/core]	0 - 5	15 kHz	BΛ = 560 mT

4. Core finishing	
Type:	Epoxy coated
Marking:	MAGNETEC M-553-01 YM (YM = Year/Month), acc. to IEC 60062 6.1.1
Packaging:	4 pcs. per layer; 3 layers per carton box; PU = 12 pcs.

5. Comments
 Visit http://www.magnetec.de/fileadmin/pdf/pb_ds.pdf for further information.

Index / Revision	Alteration	Date
01 / 01	Product Specification	14.01.2008
01 / 02	Nominal values and power loss limit changed, 100kHz lower inductance limit introduced	04.02.2015

Created:	Z. Palánki 04.02.2015	Approved (Techn):	F. Záborszky 13.02.2015	Approved (Quality):	J. Gulyás 13.02.2015	Released:	T. Trupp 13.02.2015
-----------------	--------------------------	--------------------------	----------------------------	----------------------------	-------------------------	------------------	------------------------

CONFIDENTIAL - Reproduction, publication and dissemination of this publication, enclosures hereto and the information contained therein is prohibited without MAGNETEC's prior written consent. Disclosing the specification to third parties or using its content without written permission from MAGNETEC is strictly forbidden and every offender is liable to pay the corresponding damages.