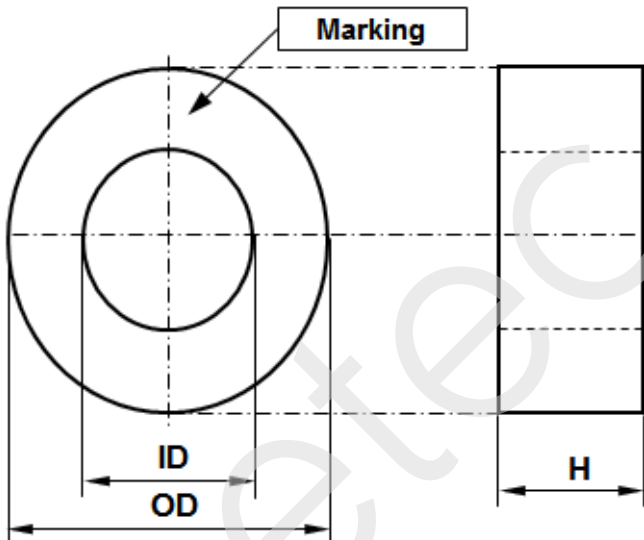


CONFIDENTIAL - Reproduction, publication and dissemination of this publication, enclosures hereto and the information contained therein is prohibited without MAGNETEC's prior written consent.

Client:	MAGNETEC	Magnetec P/N:	M-590		
Client's P/N:	/	PS Index:	02	PS Revision:	03
Subject:	EMC Wandler				

1. Mechanical Outline	
Nominal equivalent round core: 160 x 110 x 25 Finished product dimensions: OD ≤ 165,0 ID ≥ 105,0 H ≤ 28,5 [dimensions] = mm	

2. Core data (nominal values)			
Core material:	NANOPERM®	$L_{Fe} = 41,99 \text{ cm}$	$A_{Fe} = 4,61 \text{ cm}^2$
Permeability level:	~25 000	@ frequency 10 kHz	@ H peak 3,0 mA/cm

3. Inspection values (at room temperature, unless otherwise stated)			
Measured value	Measurement limits	Frequency	$I_{eff} \times N$ [mA x turn]
AL [μH]	24,0 - 50,0	10 kHz	90
AL [μH]	17,3 - NA	100 kHz	90
PFe [W/core]	0 - 12,5	15 kHz	Bmax = 500 mT

4. Core finishing	
Type:	Epoxy coated
Marking:	MAGNETEC M-590-02 YM (YM = Year/Month), acc. to IEC 60062 6.1.1
Packaging:	1 pcs. per layer; 3 layers per carton box; PU = 3 pcs.

5. Comments
Visit http://www.magnetec.de/fileadmin/pdf/pb_ds.pdf for further information.

Index / Revision	Alteration	Date
01 / 01	Product Specification	26.11.2012
01 / 02	PU = 3 pcs	28.05.2013
02 / 03	100kHz AL lower limit defined, PFe limit decreased	04.05.2015

Created:	Z. Palánki 04.05.2015	Approved (Techn):	F. Zámbořský 15.05.2015	Approved (Quality):	J. Gulyás 15.05.2015	Released:	T. Trupp 15.05.2015
-----------------	--------------------------	--------------------------	----------------------------	----------------------------	-------------------------	------------------	------------------------

CONFIDENTIAL - Reproduction, publication and dissemination of this publication, enclosures hereto and the information contained therein is prohibited without MAGNETEC's prior written consent. Disclosing the specification to third parties or using its content without written permission from MAGNETEC is strictly forbidden and every offender is liable to pay the corresponding damages.