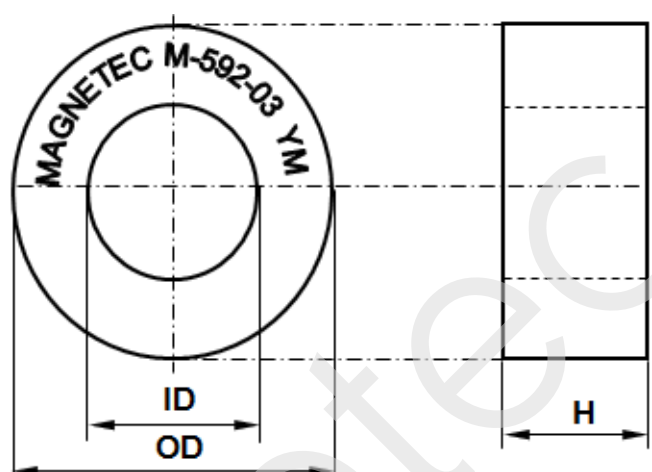


CONFIDENTIAL - Reproduction, publication and dissemination of this publication, enclosures hereto and the information contained therein is prohibited without MAGNETEC's prior written consent.

Client:	MAGNETEC	Magnetec P/N:	M-592		
Client's P/N:	/	PS Index:	03	PS Revision:	04
Subject:	EMC Wandler				

1. Mechanical Outline	
Nominal equivalent round core: 50 x 40 x 20 Finished product dimensions: OD ≤ 53,4 ID ≥ 36,6 H ≤ 23,5 [dimensions] = mm	

2. Core data (nominal values)			
Core material:	NANOPERM®	$L_{Fe} = 14,04 \text{ cm}$	$A_{Fe} = 0,72 \text{ cm}^2$
Permeability level:	ca. 90 000	@ frequency 10 kHz	@ H peak 3 mA/cm

3. Inspection values (at room temperature, unless otherwise stated)			
Measured value	Measurement limits	Frequency	Ieff x N [mA x turn]
AL1 [μH]	40 - 80	10 kHz	30,0
AL2 [μH]	10 - 20	100 kHz	30,0

4. Core finishing	
Type:	Cased and glued
Marking:	MAGNETEC M-592-03 YM (YM = Year/Month), acc. to IEC 60062 6.1.1
Packaging:	15 pcs. per layer; 4 layers per carton box; PU = 60 pcs.

5. Comments	
Visit http://www.magnetec.de/fileadmin/pdf/pb_ds.pdf for further information.	

Index / Revision	Alteration	Date
02 / 01	Product Specification	28.03.2011
02 / 02	Case size corrected	03.10.2011
03 / 03	AL1 window decreased	14.01.2013
03 / 04	Changing to glue fixation	16.11.2015

Created:	Z. Palánki 16.11.2015	Approved (Techn):	F. Záborszky 01.12.2015	Approved (Quality):	J. Gulyás 01.12.2015	Released:	T. Trupp 01.12.2015
-----------------	--------------------------	--------------------------	----------------------------	----------------------------	-------------------------	------------------	------------------------

CONFIDENTIAL - Reproduction, publication and dissemination of this publication, enclosures hereto and the information contained therein is prohibited without MAGNETEC's prior written consent. Disclosing the specification to third parties or using its content without written permission from MAGNETEC is strictly forbidden and every offender is liable to pay the corresponding damages.