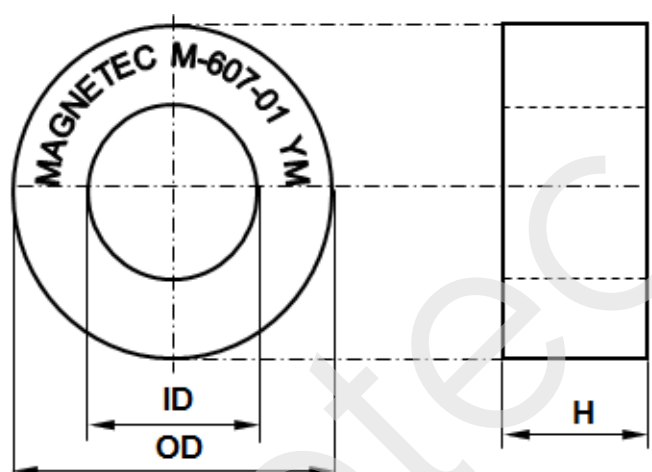


CONFIDENTIAL - Reproduction, publication and dissemination of this publication, enclosures hereto and the information contained therein is prohibited without MAGNETEC's prior written consent.

<b>Client:</b>	<b>MAGNETEC GmbH</b>	<b>Magnetec P/N:</b>	<b>M-607</b>		
<b>Client's P/N:</b>	/	<b>PS Index:</b>	<b>01</b>	<b>PS Revision:</b>	<b>02</b>
<b>Subject:</b>	<b>EMC Wandler</b>				

1. Mechanical Outline	
<p>Nominal equivalent round core:</p> <p><b>20 x 15 x 5</b></p> <p>Finished product dimensions:</p> <p>OD ≤ <b>22,4</b> ID ≥ <b>12,6</b> H ≤ <b>7,5</b></p> <p>[dimensions] = mm</p>	

2. Core data (nominal values)			
Core material:	<b>NANOPERM®</b>	$L_{Fe} = 5,39 \text{ cm}$	$A_{Fe} = 0,1 \text{ cm}^2$
Permeability level:	~90 000	@ frequency <b>10 kHz</b>	@ H peak <b>3,9 mA/cm</b>

3. Inspection values (at room temperature, unless otherwise stated)			
Measured value	Measurement limits	Frequency	I <sub>eff</sub> x N [mA x turn]
<b>AL [μH]</b>	<b>14,1 - 28,3</b>	<b>10 kHz</b>	<b>15</b>
<b>AL [μH]</b>	<b>3,5 - NA</b>	<b>100 kHz</b>	<b>15</b>

4. Core finishing	
Type:	<b>Cased</b>
Marking:	<b>MAGNETEC M-607-01 YM (YM = Year/Month), acc. to IEC 60062 6.1.1</b>
Packaging:	<b>75 pcs. per layer; 9 layers per carton box; PU = 675 pcs.</b>

5. Comments
Visit <a href="http://www.magnetec.de/fileadmin/pdf/pb_ds.pdf">http://www.magnetec.de/fileadmin/pdf/pb_ds.pdf</a> for further information.

Index / Revision	Alteration	Date
01 / 01	Product Specification	23.06.2009
01 / 02	100kHz lower limit defined	17.11.2014

<b>Created:</b>	Z. Palánki 17.11.2014	<b>Approved (Techn):</b>	F. Záborszky 28.01.2015	<b>Approved (Quality):</b>	J. Gulyás 28.01.2015	<b>Released:</b>	T. Trupp 28.01.2015
-----------------	--------------------------	--------------------------	----------------------------	----------------------------	-------------------------	------------------	------------------------

CONFIDENTIAL - Reproduction, publication and dissemination of this publication, enclosures hereto and the information contained therein is prohibited without MAGNETEC's prior written consent. Disclosing the specification to third parties or using its content without written permission from MAGNETEC is strictly forbidden and every offender is liable to pay the corresponding damages.