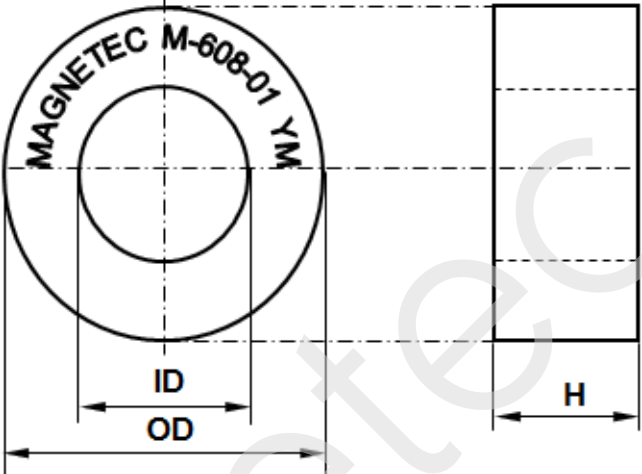


CONFIDENTIAL - Reproduction, publication and dissemination of this publication, enclosures hereto and the information contained therein is prohibited without MAGNETEC 's prior written consent.

Client:	MAGNETEC	Magnetec P/N:	M-608		
Client's P/N:	/	PS Index:	01	PS Revision:	02
Subject:	EMC Wandler				

1. Mechanical Outline	
Nominal equivalent round core: 25 x 20 x 5 Finished product dimensions: OD \leq 27,7 ID \geq 17,1 H \leq 7,5 [dimensions] = mm	

2. Core data (nominal values)			
Core material:	NANOPERM®	$L_{Fe} = 6,95 \text{ cm}$	$A_{Fe} = 0,1 \text{ cm}^2$
Permeability level:	~90 000	@ frequency 10 kHz	@ H peak 4,00 mA/cm

3. Inspection values (at room temperature, unless otherwise stated)			
Measured value	Measurement limits	Frequency	leff x N [mA x turn]
AL [μH]	11 - 21,9	10 kHz	20
AL [μH]	2,75 - NA	100 kHz	20

4. Core finishing	
Type:	Cased
Marking:	MAGNETEC M-608-01 YM (YM = Year/Month), acc. to IEC 60062 6.1.1
Packaging:	63 pcs. per layer; 9 layers per carton box; PU = 567 pcs.

5. Comments	
Visit http://www.magnetec.de/fileadmin/pdf/pb_ds.pdf for further information.	

Index / Revision	Alteration	Date
01 / 01	Product Specification	11.01.2011
01 / 02	100kHz lower limit defined	17.11.2014

Created:	Z. Palánki 17.11.2014	Approved (Techn):	F. Záborszky 28.01.2015	Approved (Quality):	J. Gulyás 28.01.2015	Released:	T. Trupp 28.01.2015
-----------------	--------------------------	--------------------------	----------------------------	----------------------------	-------------------------	------------------	------------------------

CONFIDENTIAL - Reproduction, publication and dissemination of this publication, enclosures hereto and the information contained therein is prohibited without MAGNETEC's prior written consent. Disclosing the specification to third parties or using its content without written permission from MAGNETEC is strictly forbidden and every offender is liable to pay the corresponding damages.