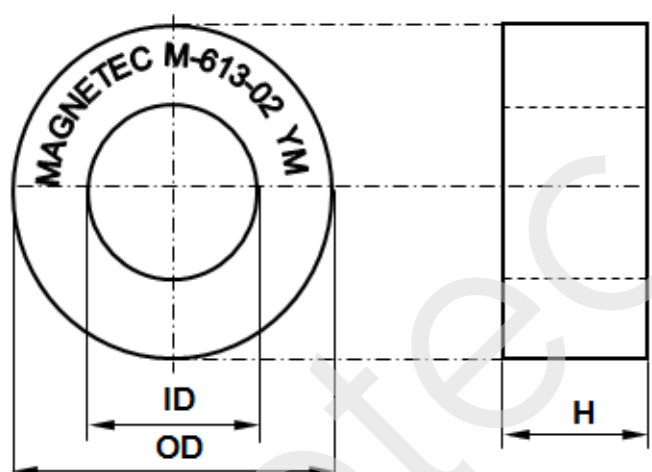


CONFIDENTIAL - Reproduction, publication and dissemination of this publication, enclosures hereto and the information contained therein is prohibited without MAGNETEC's prior written consent.

Client:	MAGNETEC GmbH	Magnetec P/N:	M-613		
Client's P/N:		PS Index:	02	PS Revision:	01
Subject:	EMV Wandler				

1. Mechanical Outline	
Nominal equivalent round core: 80,0 x 63,0 x 30,0 Finished product dimensions: OD \leq 85,0 ID \geq 57,0 H \leq 35,5 [dimensions] = mm	

2. Core data (nominal values)			
Core material:	NANOPERM®	$L_{Fe} = 22,36 \text{ cm}$	$A_{Fe} = 1,86 \text{ cm}^2$
Permeability level:	60 000	@ frequency 10 kHz	@ H peak 3,16 mA/cm

3. Inspection values (at room temperature, unless otherwise stated)			
Measured value	Measurement limits	Frequency	leff x N [mA x turn]
AL [μH]	45,8 - 91,5	10 kHz	50
AL [μH]	15,5 - NA	100 kHz	50

4. Core finishing	
Type:	Cased
Marking:	MAGNETEC M-613-02 YM (YM = Year/Month), acc. to IEC 62 5.1
Packaging:	6 pcs. per layer; 2 layers per carton box; PU = 12 pcs.

5. Comments
Visit http://www.magnetec.de/fileadmin/pdf/pb_ds.pdf for further information.

Index / Revision	Alteration	Date
01S/01	sample with $\mu_r > 45k @ 10kHz$	08.08.2007
02 / 01	First issue with $\mu_r \sim 60k @ 10kHz$	12.12.2013

Created:	Z. Palánki 12.12.2013	Approved (Techn):	F. Zámboorszky 24.01.2014	Approved (Quality):	J. Gulyás 24.01.2014	Released:	T. Trupp 24.01.2014
-----------------	--------------------------	--------------------------	------------------------------	----------------------------	-------------------------	------------------	------------------------

CONFIDENTIAL - Reproduction, publication and dissemination of this publication, enclosures hereto and the information contained therein is prohibited without MAGNETEC's prior written consent. Disclosing the specification to third parties or using its content without written permission from MAGNETEC is strictly forbidden and every offender is liable to pay the corresponding damages.