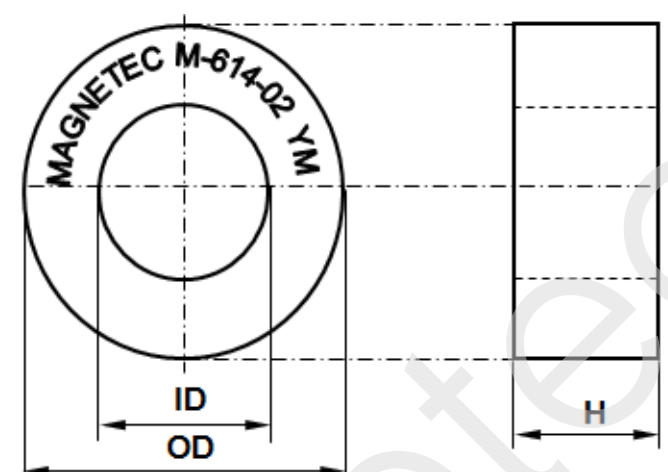


CONFIDENTIAL - Reproduction, publication and dissemination of this publication, enclosures hereto and the information contained therein is prohibited without MAGNETEC's prior written consent.

Client:	MAGNETEC	Magnetec P/N:	M-614		
Client's P/N:	/	PS Index:	02	PS Revision:	02
Subject:	EMC Wandler				

1. Mechanical Outline	
Nominal equivalent round core: 100 x 80 x 30 Finished product dimensions: OD \leq 105 ID \geq 75 H \leq 35 [dimensions] = mm	

2. Core data (nominal values)			
Core material:	NANOPERM®	$L_{Fe} = 28,16 \text{ cm}$	$A_{Fe} = 2,25 \text{ cm}^2$
Permeability level:	~60 000	@ frequency 10 kHz	@ H peak 3 mA/cm

3. Inspection values (at room temperature, unless otherwise stated)			
Measured value	Measurement limits	Frequency	leff x N [mA x turn]
AL[μH]	42,4 - 84,3	10 kHz	60
AL[μH]	14,5 - NA	100 kHz	60

4. Core finishing	
Type:	Cased
Marking:	MAGNETEC M-614-02 YM (YM = Year/Month), acc. to IEC 62 5.1
Packaging:	4 pcs. per layer; 3 layers per carton box; PU = 12 pcs.

5. Comments
Visit http://www.magnetec.de/fileadmin/pdf/pb_ds.pdf for further information.

Index / Revision	Alteration	Date
01 / 01	Product specification	18.11.2010
02 / 02	Index and permeability changed -> permeability level 60k@10kHz, 100kHz AL-limit introduced, no 50Hz inspection value	21.10.2013

Created:	Z. Palánki 21.10.2013	Approved (Techn):	F. Zámbořszky 05.11.2013	Approved (Quality):	J. Gulyás 05.11.2013	Released:	T. Trupp 05.11.2013
-----------------	--------------------------	--------------------------	-----------------------------	----------------------------	-------------------------	------------------	------------------------

CONFIDENTIAL - Reproduction, publication and dissemination of this publication, enclosures hereto and the information contained therein is prohibited without MAGNETEC's prior written consent. Disclosing the specification to third parties or using its content without written permission from MAGNETEC is strictly forbidden and every offender is liable to pay the corresponding damages.