

CONFIDENTIAL - Reproduction, publication and dissemination of this publication, enclosures hereto and the information contained therein is prohibited without MAGNETEC's prior written consent.

Client:	MAGNETEC	Magnetec P/N:	M-617		
Client's P/N:	/	PS Index:	02	PS Revision:	01
Subject:	EMC Wandler				

1. Mechanical Outline

Nominal equivalent round core:

200 x 175 x 30

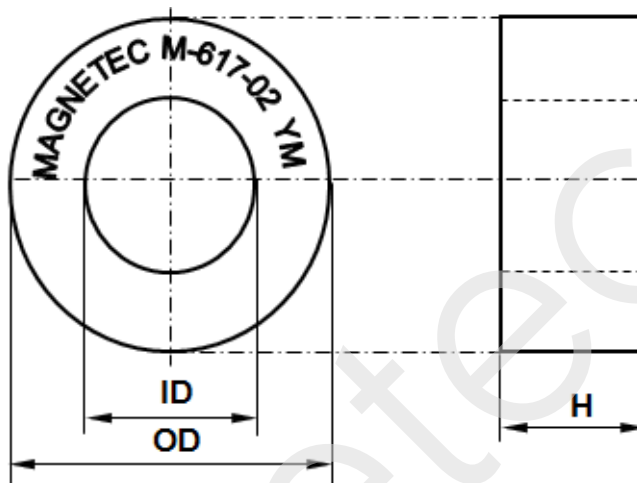
Finished product dimensions:

OD \leq 208,0

ID \geq 166,0

H \leq 37,0

[dimensions] = mm



2. Core data (nominal values)

Core material:

NANOPERM®

$L_{Fe} = 58,82$ cm

$A_{Fe} = 2,74$ cm²

Permeability level:

60 000

@ frequency

10 kHz

@ H peak

3,13 mA/cm

3. Inspection values (at room temperature, unless otherwise stated)

Measured value	Measurement limits	Frequency	leff x N [mA x turn]
AL [μH]	24,9 - 49,8	10 kHz	130
AL [μH]	8,5 - NA	100 kHz	130

4. Core finishing

Type:

Cased

Marking:

MAGNETEC M-617-02 YM (YM = Year/Month), acc. to IEC 62 5.1

Packaging:

1 pcs. per layer; 2 layers per carton box; PU = 2 pcs.

5. Comments

Visit http://www.magnetec.de/fileadmin/pdf/pb_ds.pdf for further information.

Index / Revision	Alteration	Date
02 / 01	First issue	12.12.2013

Created:	Z. Palánki 12.12.2013	Approved (Techn):	F. Zámbořszky 06.01.2014	Approved (Quality):	J. Gulyás 06.01.2014	Released:	T. Trupp 06.01.2014
-----------------	--------------------------	--------------------------	-----------------------------	----------------------------	-------------------------	------------------	------------------------

CONFIDENTIAL - Reproduction, publication and dissemination of this publication, enclosures hereto and the information contained therein is prohibited without MAGNETEC's prior written consent. Disclosing the specification to third parties or using its content without written permission from MAGNETEC is strictly forbidden and every offender is liable to pay the corresponding damages.