

CONFIDENTIAL - Reproduction, publication and dissemination of this publication, enclosures hereto and the information contained therein is prohibited without MAGNETEC's prior written consent.

<b>Client:</b>	<b>MAGNETEC</b>	<b>Magnetec P/N:</b>	<b>M-618</b>		
<b>Client's P/N:</b>	/	<b>PS Index:</b>	<b>03</b>	<b>PS Revision:</b>	<b>01</b>
<b>Subject:</b>	<b>EMC Wandler</b>				

### 1. Mechanical Outline

Nominal equivalent round core:

**300 x 250 x 30**

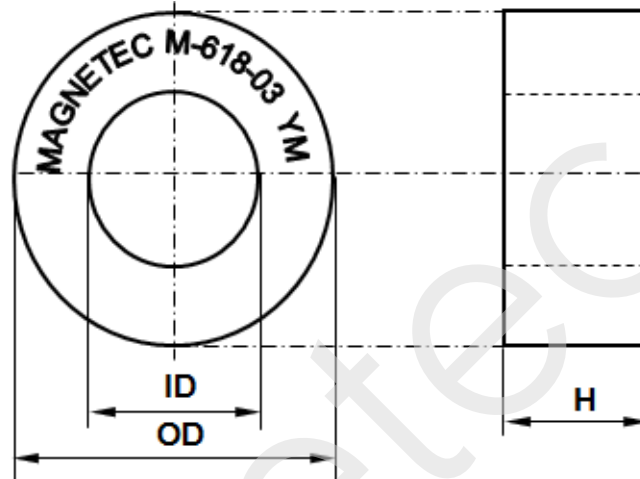
Finished product dimensions:

OD  $\leq$  305

ID  $\geq$  246,5

H  $\leq$  35

[dimensions] = mm



### 2. Core data (nominal values)

Core material:

**NANOPERM®**

$L_{Fe} = 86,4 \text{ cm}$

$A_{Fe} = 4,67 \text{ cm}^2$

Permeability level:

**60 000**

@ frequency

**10 kHz**

@ H peak

**3 mA/cm**

### 3. Inspection values (at room temperature, unless otherwise stated)

Measured value	Measurement limits	Frequency	leff x N [mA x turn]
<b>AL [<math>\mu</math>H]</b>	<b>28,6 - 57</b>	<b>10 kHz</b>	<b>185</b>
<b>AL [<math>\mu</math>H]</b>	<b>9,9 - NA</b>	<b>100 kHz</b>	<b>185</b>

### 4. Core finishing

Type:

**Cased**

Marking:

**MAGNETEC M-618-03 YM (YM = Year/Month), acc. to IEC 60062 6.1.1**

Packaging:

**1 pcs. per layer; 2 layers per carton box; PU = 2 pcs.**

### 5. Comments

Visit [http://www.magnetec.de/fileadmin/pdf/pb\\_ds.pdf](http://www.magnetec.de/fileadmin/pdf/pb_ds.pdf) for further information.

Index / Revision	Alteration	Date
06 / 01	First issue	25.03.2015

<b>Created:</b>	Z. Palánki 25.03.2015	<b>Approved (Techn):</b>	F. Zámbořský 14.04.2015	<b>Approved (Quality):</b>	J. Gulyás 14.04.2015	<b>Released:</b>	T. Trupp 14.04.2015
-----------------	--------------------------	--------------------------	----------------------------	----------------------------	-------------------------	------------------	------------------------

CONFIDENTIAL - Reproduction, publication and dissemination of this publication, enclosures hereto and the information contained therein is prohibited without MAGNETEC's prior written consent. Disclosing the specification to third parties or using its content without written permission from MAGNETEC is strictly forbidden and every offender is liable to pay the corresponding damages.