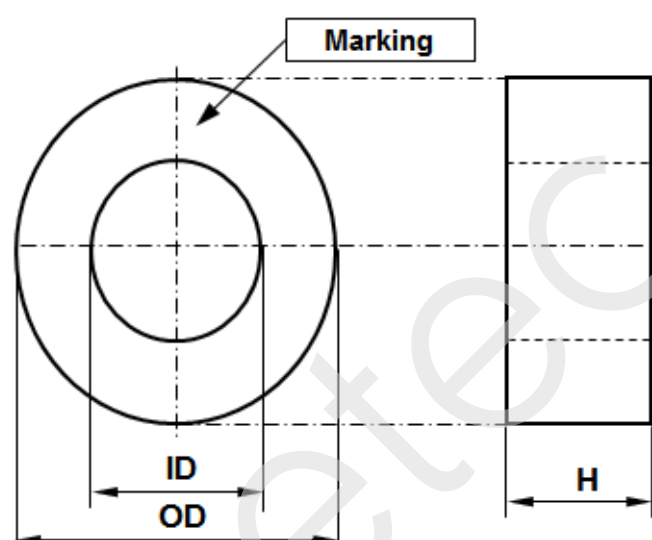


CONFIDENTIAL - Reproduction, publication and dissemination of this publication, enclosures hereto and the information contained therein is prohibited without MAGNETEC 's prior written consent.

Client:	MAGNETEC	Magnetec P/N:	M-653		
Client's P/N:	/	PS Index:	03	PS Revision:	02
Subject:	EMC Wandler				

1. Mechanical Outline	
Nominal equivalent round core: 102 x 76 x 25 Finished product dimensions: OD ≤ 108,1 ID ≥ 70 H ≤ 30,3 [dimensions] = mm	

2. Core data (nominal values)			
Core material:	NANOPERM®	$L_{Fe} = 27,37 \text{ cm}$	$A_{Fe} = 2,32 \text{ cm}^2$
Permeability level:	30 000	@ frequency 10 kHz	@ H peak 3 mA/cm

3. Inspection values (at room temperature, unless otherwise stated)			
Measured value	Measurement limits	Frequency	$I_{eff} \times N$ [mA x turn]
AL [μH]	22,6 - 45,0	10 kHz	59
AL [μH]	11,6 - NA	100 kHz	59

4. Core finishing	
Type:	Glued into case
Marking:	MAGNETEC M-653-03 YM (YM = Year/Month), acc. to IEC 60062 6.1.1
Packaging:	4 pcs. per layer; 3 layers per carton box; PU = 12 pcs.

5. Comments
Visit http://www.magnetec.de/fileadmin/pdf/pb_ds.pdf for further information.

Index / Revision	Alteration	Date
01 / 01	Product Specification	03.03.2009
03 / 02	Nominal permeability and dimensions change	15.09.2016

Created:	Z. Palánki 15.09.2016	Approved (Techn):	F. Zámbořszky 15.09.2016	Approved (Quality):	L. Ferencz 15.09.2016	Released:	P. Seiz 15.09.2016
-----------------	--------------------------	--------------------------	-----------------------------	----------------------------	--------------------------	------------------	-----------------------

CONFIDENTIAL - Reproduction, publication and dissemination of this publication, enclosures hereto and the information contained therein is prohibited without MAGNETEC's prior written consent. Disclosing the specification to third parties or using its content without written permission from MAGNETEC is strictly forbidden and every offender is liable to pay the corresponding damages .