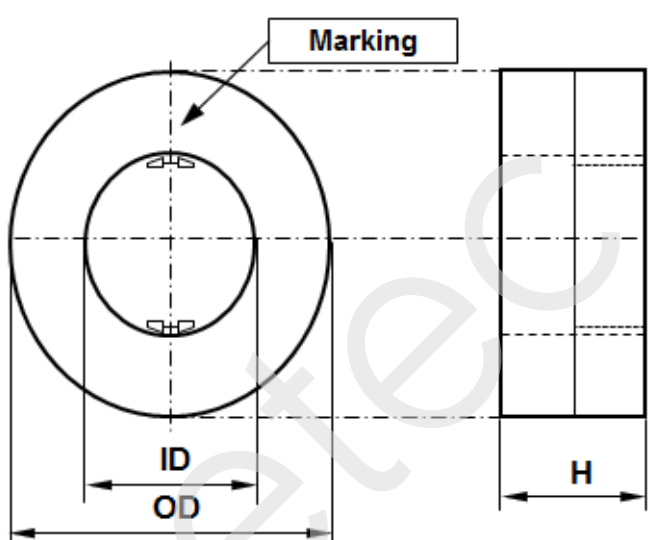


CONFIDENTIAL - Reproduction, publication and dissemination of this publication, enclosures hereto and the information contained therein is prohibited without MAGNETEC 's prior written consent.

<b>Client:</b>	<b>MAGNETEC GmbH</b>	<b>Magnetec P/N:</b>	<b>M-669</b>		
<b>Client's P/N:</b>	/	<b>PS Index:</b>	<b>03</b>	<b>PS Revision:</b>	<b>03</b>
<b>Subject:</b>	<b>EMC Wandler</b>				

1. Mechanical Outline	
Nominal equivalent round core:  <b>25 x 16 x 10</b>  Finished product dimensions:  OD ≤ <b>28,0</b> ID ≥ <b>13,0</b> H ≤ <b>12,6</b>  [dimensions] = mm	

2. Core data (nominal values)			
Core material:	<b>NANOPERM®</b>	$L_{Fe} = 6,34 \text{ cm}$	$A_{Fe} = 0,338 \text{ cm}^2$
Permeability level:		@ frequency	@ H peak
	<b>2 000</b>	<b>10 kHz</b>	<b>3 mA/cm</b>
	<b>2 000</b>	<b>100 kHz</b>	<b>3 mA/cm</b>

3. Inspection values (at room temperature, unless otherwise stated)			
Measured value	Measurement limits	Frequency	leff x N [mA x turn]
<b>AL1 [μH]</b>	<b>0,938 - 1,874</b>	<b>10 kHz</b>	<b>13,5</b>
<b>AL2 [μH]</b>	<b>0,938 - 1,874</b>	<b>100 kHz</b>	<b>13,5</b>

4. Core finishing	
Type:	<b>Cased</b>
Marking:	<b>MAGNETEC M- 669-03 YM (YM = Year/Month), acc. to IEC 60062 6.1.1</b>
Packaging:	<b>63 pcs. per layer; 6 layers per carton box; PU = 378 pcs.</b>

**5. Comments**

Visit [http://www.magnetec.de/fileadmin/pdf/pb\\_ds.pdf](http://www.magnetec.de/fileadmin/pdf/pb_ds.pdf) for further information.

Index / Revision	Alteration	Date
01 / 01	Product Specification	21.02.2011
02 / 02	Change to blue case	26.07.2016
03 / 03	Finished product dimensions corrected	14.09.2016

<b>Created:</b>	M. Pádár 14.09.2016	<b>Approved (Techn):</b>	F. Záborszky 23.09.2016	<b>Approved (Quality):</b>	L. Ferencz 23.09.2016	<b>Released:</b>	P. Seiz 11.07.2017
-----------------	------------------------	--------------------------	----------------------------	----------------------------	--------------------------	------------------	-----------------------

CONFIDENTIAL - Reproduction, publication and dissemination of this publication, enclosures hereto and the information contained therein is prohibited without MAGNETEC's prior written consent. Disclosing the specification to third parties or using its content without written permission from MAGNETEC is strictly forbidden and every offender is liable to pay the corresponding damages .