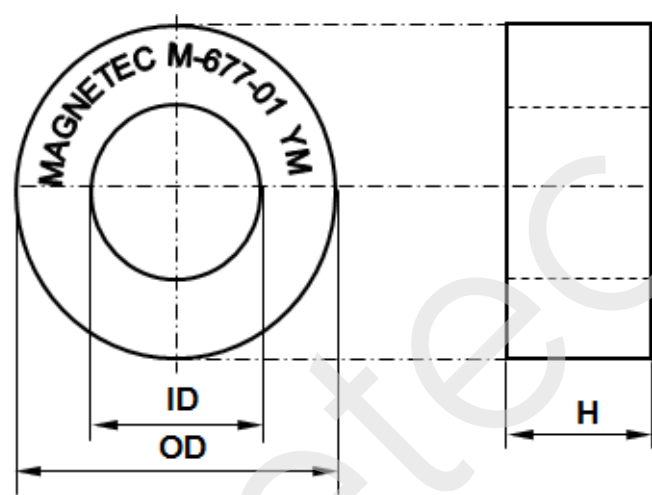


CONFIDENTIAL - Reproduction, publication and dissemination of this publication, enclosures hereto and the information contained therein is prohibited without MAGNETEC's prior written consent.

<b>Client:</b>	<b>MAGNETEC</b>	<b>Magnetec P/N:</b>	<b>M-677</b>		
<b>Client's P/N:</b>	/	<b>PS Index:</b>	<b>01</b>	<b>PS Revision:</b>	<b>02</b>
<b>Subject:</b>	<b>EMC Wandler</b>				

1. Mechanical Outline	
Nominal equivalent round core:  <b>200 x 175 x 30</b>  Finished product dimensions:  OD $\leq$ 208,0 ID $\geq$ 166,0 H $\leq$ 37,0  [dimensions] = mm	

2. Core data (nominal values)			
Core material:	<b>NANOPERM®</b>	$L_{Fe} = 57,96 \text{ cm}$	$A_{Fe} = 2,72 \text{ cm}^2$
Permeability level:	<b>ca. 2.000</b>	@ frequency <b>10 and 100 kHz</b>	@ H peak <b>3 mA/cm</b>

3. Inspection values (at room temperature, unless otherwise stated)			
Measured value	Measurement limits	Frequency	leff x N [mA x turn]
<b>AL [μH]</b>	<b>0,83 - 1,65</b>	<b>10 and 100 kHz</b>	<b>123,0</b>

4. Core finishing	
Type:	<b>Cased</b>
Marking:	<b>MAGNETEC M-677-01 YM (YM = Year/Month), acc. to IEC 62 5.1</b>
Packaging:	<b>1 pcs. per layer; 2 layers per carton box; PU = 2 pcs.</b>

5. Comments
Visit <a href="http://www.magnetec.de/fileadmin/pdf/pb_ds.pdf">http://www.magnetec.de/fileadmin/pdf/pb_ds.pdf</a> for further information.

Index / Revision	Alteration	Date
01 / 01	Product Specification	29.02.2012
01 / 02	Finished product dimension change	05.10.2012

<b>Created:</b>	Z. Palánki 05.10.2012	<b>Approved (Techn):</b>	F. Zámbořszky 08.10.2012	<b>Approved (Quality):</b>	J. Gulyás 09.10.2012	<b>Released:</b>	F. Rauscher 09.10.2012
-----------------	--------------------------	--------------------------	-----------------------------	----------------------------	-------------------------	------------------	---------------------------

CONFIDENTIAL - Reproduction, publication and dissemination of this publication, enclosures hereto and the information contained therein is prohibited without MAGNETEC's prior written consent. Disclosing the specification to third parties or using its content without written permission from MAGNETEC is strictly forbidden and every offender is liable to pay the corresponding damages.