

CONFIDENTIAL - Reproduction, publication and dissemination of this publication, enclosures hereto and the information contained therein is prohibited without MAGNETEC 's prior written consent.

Client:	MAGNETEC	Magnetec P/N:	M-724		
Client's P/N:	M-724	PS Index:	01	PS Revision:	01
Subject:	CT Wandler				

1. Mechanical Outline

Nominal equivalent round core:

18,7 x 12,3 x 5,0

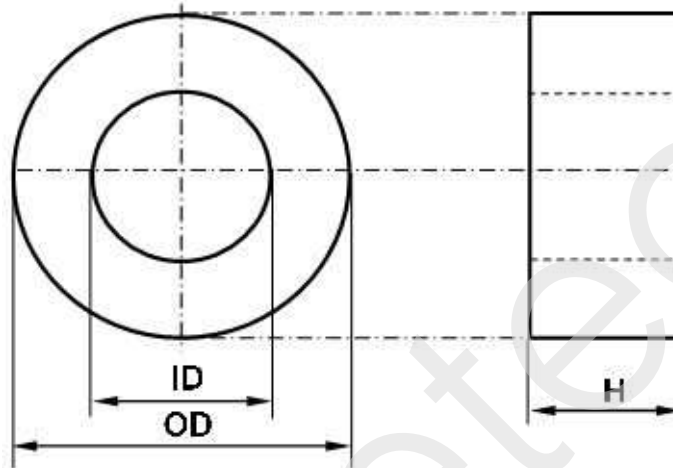
Finished product dimensions:

OD \leq 19,7

ID \geq 11,3

H \leq 6

[dimensions] = mm



2. Core data (nominal values)

Core material:	NANOPERM®	$L_{Fe} = 4,8 \text{ cm}$	$A_{Fe} = 0,12 \text{ cm}^2$
Permeability level:	~110000	@ frequency 50 Hz	@ H peak 2,3 mA/cm

3. Inspection values (at room temperature, unless otherwise stated)

Measured value	Measurement limits	Frequency	leff x N [mA x turn]
AL [μH]	23 - 46	120 Hz	8

4. Core finishing

Type:	Epoxy coated
Marking:	None
Packaging:	- pcs. per layer; - layers per carton box; PU = - pcs.

5. Comments

Visit http://www.magnetec.de/fileadmin/pdf/pb_ds.pdf for further information.

Index / Revision	Alteration	Date
01 / 01	First issue	23.09.2015

Created:	D. Tóth 23.09.2015	Approved (Techn):	Z. Makovinyi 28.09.2015	Approved (Quality):	J. Gulyás 28.09.2015	Released:	F. Zámboreszky 28.09.2015
-----------------	-----------------------	--------------------------	----------------------------	----------------------------	-------------------------	------------------	------------------------------

CONFIDENTIAL - Reproduction, publication and dissemination of this publication, enclosures hereto and the information contained therein is prohibited without MAGNETEC's prior written consent. Disclosing the specification to third parties or using its content without written permission from MAGNETEC is strictly forbidden and every offender is liable to pay the corresponding damages.