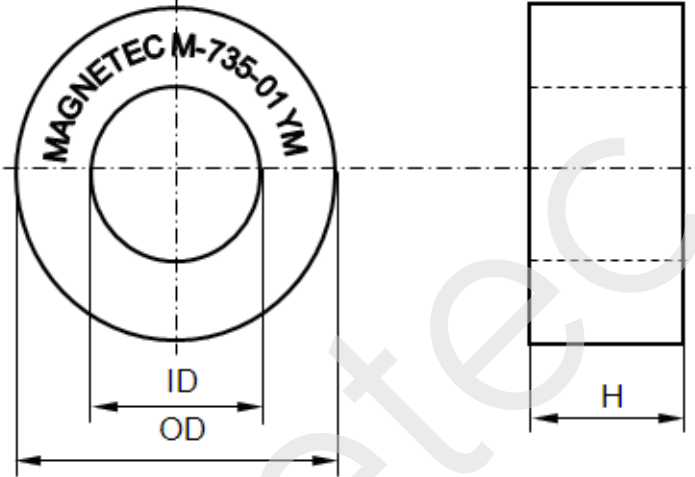


CONFIDENTIAL - Reproduction, publication and dissemination of this publication, enclosures hereto and the information contained therein is prohibited without MAGNETEC's prior written consent.

Client:	MAGNETEC GmbH	Magnetec P/N:	M-735		
Client's P/N:	/	PS Index:	01	PS Revision:	01
Subject:	EMC Wandler				

1. Mechanical Outline	
Nominal equivalent round core: 130 x 100 x 30 Finished product dimensions: OD ≤ 135,0 ID ≥ 94,0 H ≤ 34,0 [dimensions] = mm	

2. Core data (nominal values)			
Core material:	NANOPERM®	$L_{Fe} = 35,92 \text{ cm}$	$A_{Fe} = 3,3 \text{ cm}^2$
Permeability level:	~30.000	@ frequency 10 kHz	@ H peak 3,1 mA/cm

3. Inspection values (at room temperature, unless otherwise stated)			
Measured value	Measurement limits	Frequency	I _{eff} x N [mA x turn]
AL [μH]	24,6 - 52,9	10 kHz	80

4. Core finishing	
Type:	Epoxy coated
Marking:	MAGNETEC M-735-01 YM (Y = year / M = month)
Packaging:	2 pcs. per layer; 3 layers per carton box; PU = 6 pcs.

5. Comments	
Visit http://www.magnetec.de/fileadmin/pdf/pb_ds.pdf for further information.	

Index / Revision	Alteration	Date
01 / 01	Product Specification	08.01.2010

Created:	Á. Kovách 08.01.2010	Approved (Techn):	F. Zámbořský 08.01.2010	Approved (Quality):	V. Kaposztas 08.01.2010	Released:	F. Rauscher 08.01.2010
-----------------	-------------------------	--------------------------	----------------------------	----------------------------	----------------------------	------------------	---------------------------

CONFIDENTIAL - Reproduction, publication and dissemination of this publication, enclosures hereto and the information contained therein is prohibited without MAGNETEC's prior written consent. Disclosing the specification to third parties or using its content without written permission from MAGNETEC is strictly forbidden and every offender is liable to pay the corresponding damages.