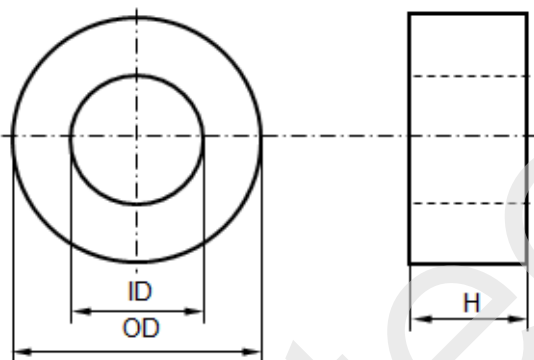


CONFIDENTIAL - Reproduction, publication and dissemination of this publication, enclosures hereto and the information contained therein is prohibited without MAGNETEC's prior written consent.

<b>Client:</b>	<b>MAGNETEC</b>	<b>Magnetec P/N:</b>	<b>M-756</b>		
<b>Client's P/N:</b>	/	<b>PS Index:</b>	<b>01</b>	<b>PS Revision:</b>	<b>02</b>
<b>Subject:</b>	<b>CT Wandler</b>				

1. Mechanical Outline	
Nominal equivalent round core:  <b>12,4 x 10,1 x 5</b>  Finished product dimensions:  OD $\leq$ <b>14,2</b> ID $\geq$ <b>8,3</b> H $\leq$ <b>7,2</b>  [dimensions] = mm	

2. Core data (nominal values)			
Core material:	<b>NANOPERM®</b>	$L_{Fe} = 3,52 \text{ cm}$	$A_{Fe} = 0,045 \text{ cm}^2$
Permeability level:	<b>ca. 90 000</b>	@ frequency <b>100 Hz</b>	@ H peak <b>4 mA/cm</b>

3. Inspection values (at room temperature, unless otherwise stated)			
Measured value	Measurement limits	Frequency	$l_{eff} \times N$ [mA x turn]
<b>AL [<math>\mu</math>H]</b>	<b>9,5 - 19,0</b>	<b>100 Hz</b>	<b>10,0</b>

4. Core finishing	
Type:	<b>Cased</b>
Marking:	<b>None</b>
Packaging:	<b>110 pcs. per layer; 10 layers per carton box; PU = 1100 pcs.</b>

5. Comments	
Visit <a href="http://www.magnetec.de/fileadmin/pdf/pb_ds.pdf">http://www.magnetec.de/fileadmin/pdf/pb_ds.pdf</a> for further information.	

Index / Revision	Alteration	Date
01 / 01	Product Specification	04.03.2013
01 / 02	Core size increased	13.02.2015

<b>Created:</b>	D. Tóth 13.02.2015	<b>Approved (Techn):</b>	F. Zámbořský 19.02.2015	<b>Approved (Quality):</b>	J. Gulyás 19.02.2015	<b>Released:</b>	H. Doenges 19.02.2015
-----------------	-----------------------	--------------------------	----------------------------	----------------------------	-------------------------	------------------	--------------------------

CONFIDENTIAL - Reproduction, publication and dissemination of this publication, enclosures hereto and the information contained therein is prohibited without MAGNETEC's prior written consent. Disclosing the specification to third parties or using its content without written permission from MAGNETEC is strictly forbidden and every offender is liable to pay the corresponding damages.