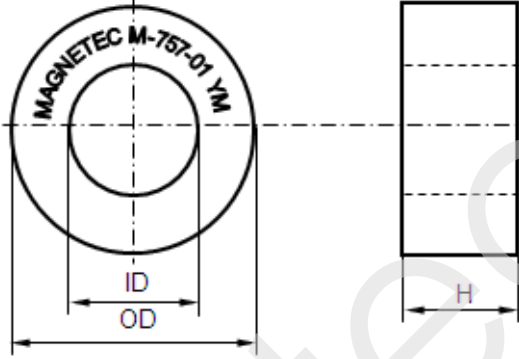


CONFIDENTIAL - Reproduction, publication and dissemination of this publication, enclosures hereto and the information contained therein is prohibited without MAGNETEC's prior written consent.

Client:	MAGNETEC	Magnetec P/N:	M-757		
Client's P/N:	/	PS Index:	01	PS Revision:	01
Subject:	CT Wandler				

1. Mechanical Outline	
Nominal equivalent round core: 17,5 x 12,5 x 6 Finished product dimensions: OD ≤ 19,6 ID ≥ 10,1 H ≤ 8,6 [dimensions] = mm	

2. Core data (nominal values)			
Core material:	NANOPERM®	$L_{Fe} = 4,60 \text{ cm}$	$A_{Fe} = 0,11 \text{ cm}^2$
Permeability level:	ca. 85 000	@ frequency 50 Hz	@ H peak 4 mA/cm

3. Inspection values (at room temperature, unless otherwise stated)			
Measured value	Measurement limits	Frequency	$l_{eff} \times N$ [mA x turn]
AL [μH]	18 - 36	50 Hz	13,0

4. Core finishing	
Type:	Cased
Marking:	MAGNETEC M-757-01 YM (YM = Year/Month), acc. to IEC 62 5.1
Packaging:	110 pcs. per layer; 8 layers per carton box; PU = 880 pcs.

5. Comments
Visit http://www.magnetec.de/fileadmin/pdf/pb_ds.pdf for further information.

Index / Revision	Alteration	Date
01 / 01	Product specification	18.05.2012

Created:	Zs. Sándor 18.05.2012	Approved (Techn):	F. Zámboreszky 18.05.2012	Approved (Quality):	J. Gulyás 18.05.2012	Released:	H. Doenges 18.05.2012
-----------------	--------------------------	--------------------------	------------------------------	----------------------------	-------------------------	------------------	--------------------------

CONFIDENTIAL - Reproduction, publication and dissemination of this publication, enclosures hereto and the information contained therein is prohibited without MAGNETEC's prior written consent. Disclosing the specification to third parties or using its content without written permission from MAGNETEC is strictly forbidden and every offender is liable to pay the corresponding damages.