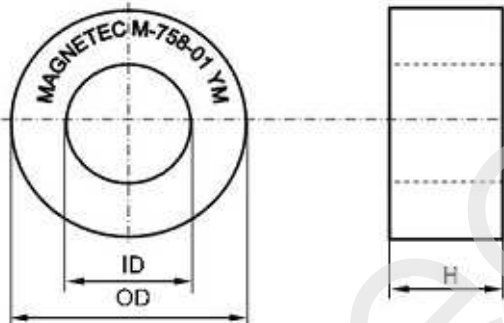


CONFIDENTIAL - Reproduction, publication and dissemination of this publication, enclosures hereto and the information contained therein is prohibited without MAGNETEC's prior written consent.

Client:	MAGNETEC	Magnetec P/N:	M-758		
Client's P/N:	/	PS Index:	01	PS Revision:	02
Subject:	CT Wandler				

1. Mechanical Outline	
Nominal equivalent round core: 17,2 x 12,3 x 6 Finished product dimensions: OD \leq 19,6 ID \geq 10,1 H \leq 8,6 [dimensions] = mm	

2. Core data (nominal values)			
Core material:	NANOPERM®	$L_{Fe} = 4,60 \text{ cm}$	$A_{Fe} = 0,11 \text{ cm}^2$
Permeability level:	ca. 180 000	@ frequency 50 Hz	@ H peak 4 mA/cm

3. Inspection values (at room temperature, unless otherwise stated)					
Measured value		Measurement limits		Frequency	leff x N [mA x turn]
AL1 [μH]	[μH]	41,8 - 69,7		50 Hz	13,0
AL2				50 Hz	49,0
AL2/AL1		NA - 1,12			

4. Core finishing	
Type:	Cased
Marking:	MAGNETEC M-758-01 YM (YM = Year/Month), acc. to IEC 60062 6.1.1
Packaging:	110 pcs. per layer; 8 layers per carton box; PU = 880 pcs.

5. Comments	
Visit http://www.magnetec.de/fileadmin/pdf/pb_ds.pdf for further information.	

Index / Revision	Alteration	Date
01 / 01	First issue	09.04.2014
01 / 02	Core dimensions corrected, inductivity measurement	01.12.2014

Created:	D. Tóth 01.12.2014	Approved (Techn):	F. Záborszky 04.12.2014	Approved (Quality):	J. Gulyás 04.12.2014	Released:	H. Doenges 04.12.2014
-----------------	-----------------------	--------------------------	----------------------------	----------------------------	-------------------------	------------------	--------------------------

CONFIDENTIAL - Reproduction, publication and dissemination of this publication, enclosures hereto and the information contained therein is prohibited without MAGNETEC's prior written consent. Disclosing the specification to third parties or using its content without written permission from MAGNETEC is strictly forbidden and every offender is liable to pay the corresponding damages.