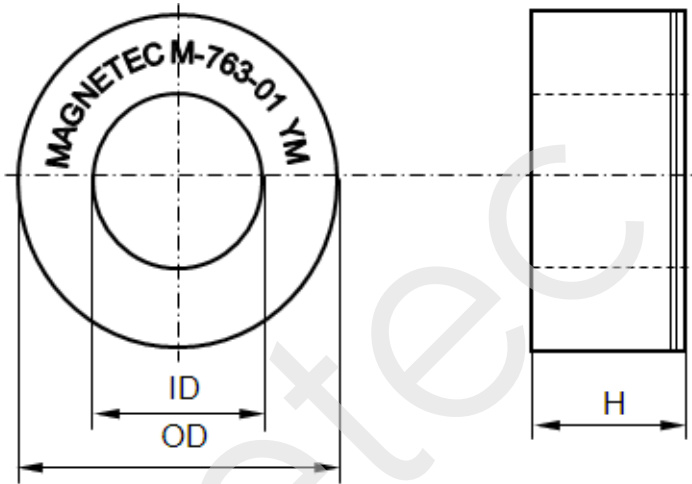


CONFIDENTIAL - Reproduction, publication and dissemination of this publication, enclosures hereto and the information contained therein is prohibited without MAGNETEC's prior written consent.

Client:	MAGNETEC	Magnetec P/N:	M-763		
Client's P/N:	/	PS Index:	01	PS Revision:	02
Subject:	EMC Wandler				

1. Mechanical Outline	
Nominal equivalent round core: 40 x 25 x 15 Finished product dimensions: OD ≤ 44,5 ID ≥ 21,5 H ≤ 19,0 [dimensions] = mm	

2. Core data (nominal values)			
Core material:	NANOPERM®	$L_{Fe} = 10,03 \text{ cm}$	$A_{Fe} = 0,88 \text{ cm}^2$
Permeability level:	≥ 80 000	@ frequency 10 kHz	@ H peak 2,8 mA/cm

3. Inspection values (at room temperature, unless otherwise stated)			
Measured value	Measurement limits	Frequency	leff x N [mA x turn]
AL [μH]	75,0 - NA	10 kHz	20,0

4. Core finishing	
Type:	Cased
Marking:	MAGNETEC M-763-01 YM (Y = year / M = month)
Packaging:	24 pcs. per layer; 4 layers per carton box; PU = 96 pcs.

5. Comments	
Visit http://www.magnetec.de/fileadmin/pdf/pb_ds.pdf for further information.	

Index / Revision	Alteration	Date
01 / 01	Product Specification	08.04.2010
01 / 02	Finished product dimension correction	25.04.2012

Created:	Z. Palánki 25.04.2012	Approved (Techn):	F. Zámbořszky 25.04.2012	Approved (Quality):	J. Gulyás 12.06.2012	Released:	F. Rauscher 12.06.2012
-----------------	--------------------------	--------------------------	-----------------------------	----------------------------	-------------------------	------------------	---------------------------

CONFIDENTIAL - Reproduction, publication and dissemination of this publication, enclosures hereto and the information contained therein is prohibited without MAGNETEC's prior written consent. Disclosing the specification to third parties or using its content without written permission from MAGNETEC is strictly forbidden and every offender is liable to pay the corresponding damages.