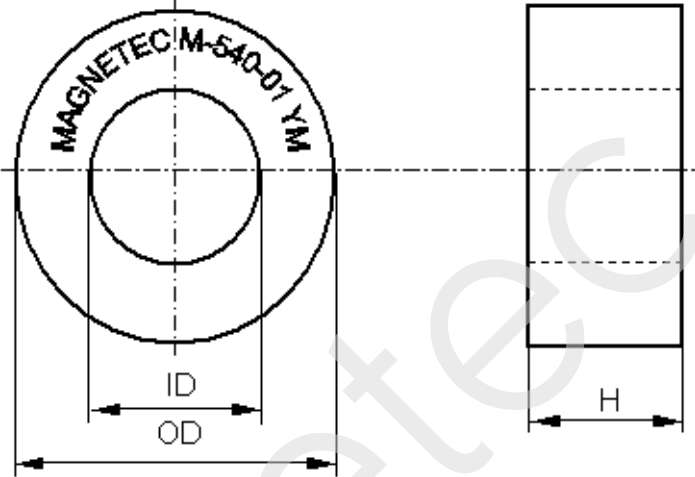


CONFIDENTIAL - Reproduction, publication and dissemination of this publication, enclosures hereto and the information contained therein is prohibited without MAGNETEC's prior written consent.

<b>Client:</b>	<b>MAGNETEC GmbH</b>	<b>Magnetec P/N:</b>	<b>M-766</b>	
<b>Client's P/N:</b>	/	<b>PS Index:</b>	<b>01</b>	<b>PS Revision:</b> <b>01</b>
<b>Subject:</b>	<b>EMC Wandler</b>			

1. Mechanical Outline	
<p>Nominal equivalent round core:</p> <p><b>130 x 100 x 25</b></p> <p>Finished product dimensions:</p> <p>OD ≤ <b>134,5</b> ID ≥ <b>95,0</b> H ≤ <b>28,5</b></p> <p>[dimensions] = mm</p>	

2. Core data (nominal values)			
Core material:	<b>NANOPERM®</b>	$L_{Fe} = 36,1 \text{ cm}$	$A_{Fe} = 2,85 \text{ cm}^2$
Permeability level:	~23 000	@ frequency <b>10 kHz</b>	@ H peak <b>3,1 mA/cm</b>

3. Inspection values (at room temperature, unless otherwise stated)			
Measured value	Measurement limits	Frequency	I <sub>eff</sub> x N [mA x turn]
<b>Iron losses [W/core]</b>	<b>0 - 7,0</b>	<b>15 kHz</b>	<b>B<sub>max</sub> = 500mT</b>

4. Core finishing	
Type:	<b>Epoxy coated and foil bandaged</b>
Marking:	<b>MAGNETEC M-540-01 YM</b>
Packaging:	<b>2 pcs. per layer; 3 layers per carton box; PU = 6 pcs.</b>

5. Comments	
Visit <a href="http://www.magnetec.de/fileadmin/pdf/pb_ds.pdf">http://www.magnetec.de/fileadmin/pdf/pb_ds.pdf</a> for further information.	

Index / Revision	Alteration	Date
01 / 01	Product Specification	13.05.2010

<b>Created:</b>	Zs. Eperjesi 13.05.2010	<b>Approved (Techn):</b>	F. Zámboorszky 31.05.2010	<b>Approved (Quality):</b>	V. Kaposztas 31.05.2010	<b>Released:</b>	F. Rauscher 31.05.2010
-----------------	----------------------------	--------------------------	------------------------------	----------------------------	----------------------------	------------------	---------------------------

CONFIDENTIAL - Reproduction, publication and dissemination of this publication, enclosures hereto and the information contained therein is prohibited without MAGNETEC's prior written consent. Disclosing the specification to third parties or using its content without written permission from MAGNETEC is strictly forbidden and every offender is liable to pay the corresponding damages.