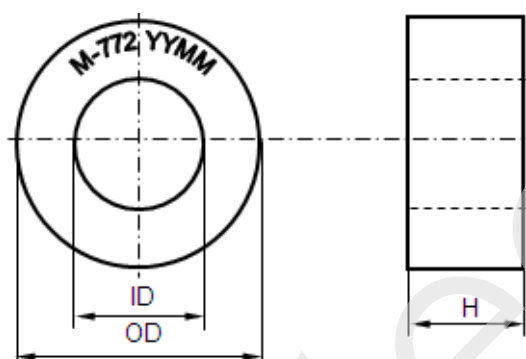


CONFIDENTIAL - Reproduction, publication and dissemination of this publication, enclosures hereto and the information contained therein is prohibited without MAGNETEC's prior written consent.

Client:	MAGNETEC GmbH	Magnetec P/N:	M-772		
Client's P/N:	/	PS Index:	01	PS Revision:	03
Subject:	CT Wandler				

1. Mechanical Outline	
Nominal equivalent round core: 36 x 30 x 6 Finished product dimensions: OD ≤ 38,4 ID ≥ 27,8 H ≤ 8,2 [dimensions] = mm	

2. Core data (nominal values)			
Core material:	NANOPERM®	$L_{Fe} = 10,34 \text{ cm}$	$A_{Fe} = 0,14 \text{ cm}^2$
Permeability level:		@ frequency	@ H peak
	> 130.000	1 kHz	20,5 mA/cm
	> 100.000	10 kHz	20,5 mA/cm

3. Inspection values (at room temperature, unless otherwise stated)			
Measured value	Measurement limits	Frequency	$I_{eff} \times N$ [mA x turn]
AL1 [μH]	20,5 - NA	1 kHz	150
AL2 [μH]	17,0 - NA	10 kHz	150

4. Core finishing	
Type:	Cased
Marking:	M-772 YYMM (Y = year / M = month)
Packaging:	24 pcs. per layer; 8 layers per carton box; PU = 192 pcs.

5. Comments
Operating ambient temperature : -40°C ... +85°C. Visit http://www.magnetec.de/fileadmin/pdf/pb_ds.pdf for further information.

Index / Revision	Alteration	Date
01 / 01	Product Specification	30.08.2010
01 / 02	Inspection values change, marking change	05.01.2012
01 / 03	Inspection values change	30.03.2012

Created:	Zs. Sándor 30.03.2012	Approved (Techn):	F. Zámboreszky 30.03.2012	Approved (Quality):	J. Gulyás 30.03.2012	Released:	H. Doenges 30.03.2012
-----------------	--------------------------	--------------------------	------------------------------	----------------------------	-------------------------	------------------	--------------------------

CONFIDENTIAL - Reproduction, publication and dissemination of this publication, enclosures hereto and the information contained therein is prohibited without MAGNETEC's prior written consent. Disclosing the specification to third parties or using its content without written permission from MAGNETEC is strictly forbidden and every offender is liable to pay the corresponding damages.