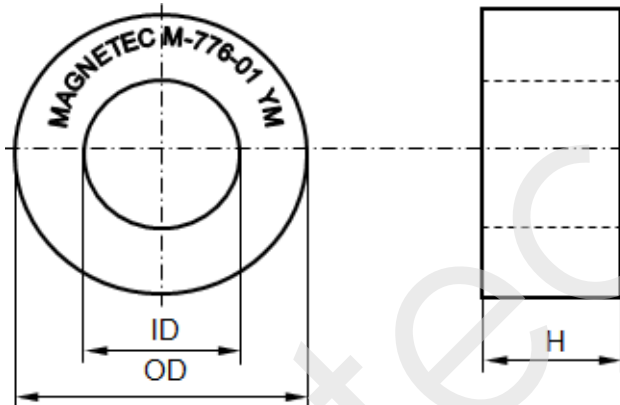


CONFIDENTIAL - Reproduction, publication and dissemination of this publication, enclosures hereto and the information contained therein is prohibited without MAGNETEC's prior written consent.

Client:	MAGNETEC GmbH	Magnetec P/N:	M-776		
Client's P/N:	/	PS Index:	01	PS Revision:	02
Subject:	CT Wandler				

1. Mechanical Outline	
Nominal equivalent round core: 32 x 26 x 6 Finished product dimensions: OD \leq 34,0 ID \geq 23,4 H \leq 8,4 [dimensions] = mm	

2. Core data (nominal values)			
Core material:	NANOPERM®	$L_{Fe} = 8,97 \text{ cm}$	$A_{Fe} = 0,14 \text{ cm}^2$
Permeability level:	> 100.000 > 75.000	@ frequency 1 kHz 10 kHz	@ H peak 20,5 mA/cm

3. Inspection values (at room temperature, unless otherwise stated)			
Measured value	Measurement limits	Frequency	leff x N [mA x turn]
AL1 [μH]	25 - NA	1 kHz	180
AL2 [μH]	19 - NA	10 kHz	

4. Core finishing	
Type:	Cased
Marking:	MAGNETEC M-776-01 YM (Y = year / M = month)
Packaging:	35 pcs. per layer; 8 layers per carton box; PU = 280 pcs.

5. Comments
Operating ambient temperature : -40°C ... +85°C Visit http://www.magnetec.de/fileadmin/pdf/pb_ds.pdf for further information.

Index / Revision	Alteration	Date
01 / 01	Product Specification	21.05.2013
01 / 02	Harmonization of part and finished product dimensions	15.01.2020

Created:	Z. Braxátor 15.01.2020	Approved (Techn):	F. Záborszky 15.01.2020	Approved (Quality):	G. Zsák 15.01.2020	Released:	D. Tóth 15.01.2020
-----------------	---------------------------	--------------------------	----------------------------	----------------------------	-----------------------	------------------	-----------------------

CONFIDENTIAL - Reproduction, publication and dissemination of this publication, enclosures hereto and the information contained therein is prohibited without MAGNETEC's prior written consent. Disclosing the specification to third parties or using its content without written permission from MAGNETEC is strictly forbidden and every offender is liable to pay the corresponding damages.