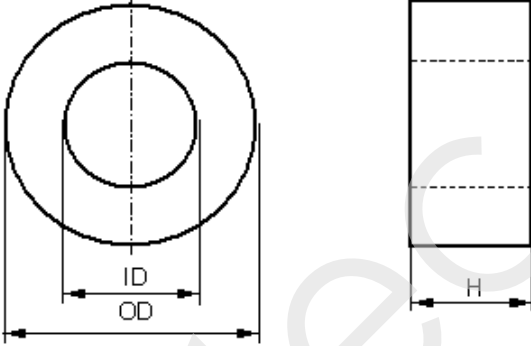


CONFIDENTIAL - Reproduction, publication and dissemination of this publication, enclosures hereto and the information contained therein is prohibited without MAGNETEC's prior written consent.

|                      |                      |                      |              |                     |           |
|----------------------|----------------------|----------------------|--------------|---------------------|-----------|
| <b>Client:</b>       | <b>MAGNETEC GmbH</b> | <b>Magnetec P/N:</b> | <b>M-800</b> |                     |           |
| <b>Client's P/N:</b> | /                    | <b>PS Index:</b>     | <b>01</b>    | <b>PS Revision:</b> | <b>04</b> |
| <b>Subject:</b>      | <b>CT Wandler</b>    |                      |              |                     |           |

| 1. Mechanical Outline  |  |
|--|--|
| Nominal equivalent round core:<br><br><b>21 x 17 x 6</b><br><br>Finished product dimensions:<br><br>OD $\leq$ <b>22,6</b><br>ID $\geq$ <b>15,6</b><br>H $\leq$ <b>7,8</b><br><br>[dimensions] = mm |  |

| 2. Core data (nominal values) |                  |                             |                              |
|-------------------------------|------------------|-----------------------------|------------------------------|
| Core material:                | <b>NANOPERM®</b> | $L_{Fe} = 5,96 \text{ cm}$  | $A_{Fe} = 0,09 \text{ cm}^2$ |
| Permeability level:           | <b>2.000</b>     | @ frequency<br><b>1 kHz</b> | @ H peak<br><b>25 mA/cm</b>  |

| 3. Inspection values (at room temperature, unless otherwise stated) |                    |              |                                |
|---|--------------------|--------------|--------------------------------|
| Measured value  | Measurement limits | Frequency    | $l_{eff} \times N$ [mA x turn] |
| <b>AI [nH]</b>  | <b>342 - 398</b>   | <b>1 kHz</b> | <b>105</b>                     |

| 4. Core finishing |  |
|-------------------|--|
| Type:             | <b>Cased</b>   |
| Marking:          | <b>none</b>  |
| Packaging:        | <b>75 pcs. per layer; 9 layers per carton box; PU = 675 pcs.</b> |

**5. Comments**  
 Visit [http://www.magnetec.de/fileadmin/pdf/pb\\_ds.pdf](http://www.magnetec.de/fileadmin/pdf/pb_ds.pdf) for further information.

| Index / Revision | Alteration                           | Date       |
|------------------|--------------------------------------|------------|
| 01 / 01          | Product specification                | 26.08.2010 |
| 01 / 02          | AI limit modification                | 06.09.2010 |
| 01 / 03          | Article number modified              | 02.11.2016 |
| 01 / 04          | Finished product dimensions adjusted | 09.05.2018 |

|                 |                        |                          |                            |                            |                          |                  |                           |
|-----------------|------------------------|--------------------------|----------------------------|----------------------------|--------------------------|------------------|---------------------------|
| <b>Created:</b> | M. Pádár<br>09.05.2018 | <b>Approved (Techn):</b> | F. Záborszky<br>08.06.2018 | <b>Approved (Quality):</b> | R. Montvai<br>08.06.2018 | <b>Released:</b> | F. Rauscher<br>08.06.2018 |
|-----------------|------------------------|--------------------------|----------------------------|----------------------------|--------------------------|------------------|---------------------------|

CONFIDENTIAL - Reproduction, publication and dissemination of this publication, enclosures hereto and the information contained therein is prohibited without MAGNETEC's prior written consent. Disclosing the specification to third parties or using its content without written permission from MAGNETEC is strictly forbidden and every offender is liable to pay the corresponding damages.