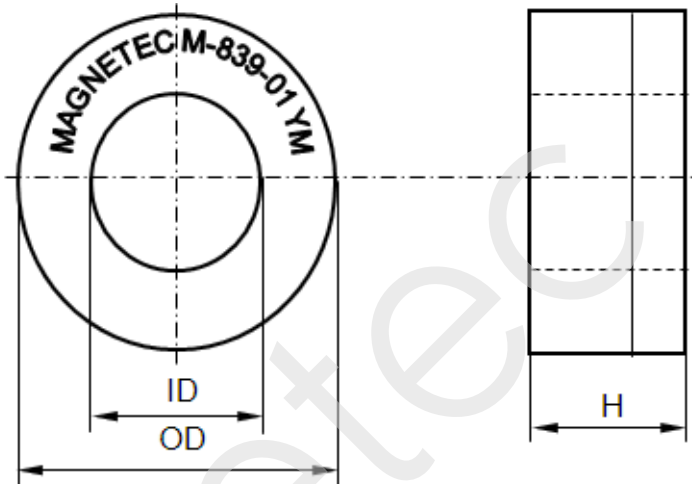


CONFIDENTIAL - Reproduction, publication and dissemination of this publication, enclosures hereto and the information contained therein is prohibited without MAGNETEC's prior written consent.

<b>Client:</b>	<b>MAGNETEC</b>	<b>Magnetec P/N:</b>	<b>M-839</b>		
<b>Client's P/N:</b>	/	<b>PS Index:</b>	<b>01</b>	<b>PS Revision:</b>	<b>02</b>
<b>Subject:</b>	<b>EMC Wandler</b>				

1. Mechanical Outline	
Nominal equivalent round core:  <b>30 x 20 x 10</b>  Finished product dimensions:  OD $\leq$ <b>32,9</b> ID $\geq$ <b>17,6</b> H $\leq$ <b>12,7</b>  [dimensions] = mm	

2. Core data (nominal values)			
Core material:	<b>NANOPERM®</b>	$L_{Fe} = 7,75 \text{ cm}$	$A_{Fe} = 0,375 \text{ cm}^2$
Permeability level:	<b>8.000</b>	@ frequency <b>10 kHz</b>	@ H peak <b>3 mA/cm</b>

3. Inspection values (at room temperature, unless otherwise stated)			
Measured value	Measurement limits	Frequency	$l_{eff} \times N$ [mA x turn]
<b>AL [μH]</b>	<b>2,60 - 6,0</b>	<b>100 kHz</b>	<b>16,5</b>

4. Core finishing	
Type:	<b>Cased</b>
Marking:	<b>MAGNETEC M-839-01 YM (YM = Year/Month), acc. to IEC 62 5.1</b>
Packaging:	<b>35 pcs. per layer; 6 layers per carton box; PU = 210 pcs.</b>

5. Comments	
Visit <a href="http://www.magnetec.de/fileadmin/pdf/pb_ds.pdf">http://www.magnetec.de/fileadmin/pdf/pb_ds.pdf</a> for further information.	

Index / Revision	Alteration	Date
01/01	Product Specification	07.06.2012
01/02	10kHz removed, 100kHz a little bigger acc. MB-398	03.07.2012

<b>Created:</b>	Zs. Eperjesi 03.07.2012	<b>Approved (Techn):</b>	F. Zámboreszky 2012.07.03	<b>Approved (Quality):</b>	J. Gulyás 2012.07.03	<b>Released:</b>	F. Rauscher 2012.07.03
-----------------	----------------------------	--------------------------	------------------------------	----------------------------	-------------------------	------------------	---------------------------

CONFIDENTIAL - Reproduction, publication and dissemination of this publication, enclosures hereto and the information contained therein is prohibited without MAGNETEC's prior written consent. Disclosing the specification to third parties or using its content without written permission from MAGNETEC is strictly forbidden and every offender is liable to pay the corresponding damages.