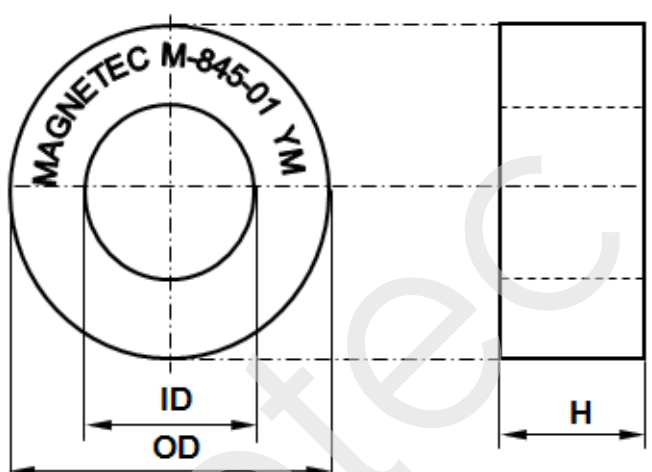


CONFIDENTIAL - Reproduction, publication and dissemination of this publication, enclosures hereto and the information contained therein is prohibited without MAGNETEC's prior written consent.

Client:	MAGNETEC	Magnetec P/N:	M-845		
Client's P/N:	/	PS Index:	01	PS Revision:	01
Subject:	EMC Wandler				

1. Mechanical Outline	
Nominal equivalent round core: 25 x 16 x 10 Finished product dimensions: OD \leq 28,0 ID \geq 13,2 H \leq 12,5 [dimensions] = mm	

2. Core data (nominal values)			
Core material:	NANOPERM®	$L_{Fe} = 6,34 \text{ cm}$	$A_{Fe} = 0,31 \text{ cm}^2$
Permeability level:	ca. 90 000	@ frequency 10 kHz	@ H peak 3,0 mA/cm

3. Inspection values (at room temperature, unless otherwise stated)			
Measured value	Measurement limits	Frequency	leff x N [mA x turn]
AL [μH]	40,0 - 80,0	10 kHz	13,4
AL [μH]	10,8 - NA	100 kHz	13,4

4. Core finishing	
Type:	Cased
Marking:	MAGNETEC M-845-01 YM (YM = Year/Month), acc. to IEC 62 5.1
Packaging:	63 pcs. per layer; 6 layers per carton box; PU = 378 pcs.

5. Comments
Visit http://www.magnetec.de/fileadmin/pdf/pb_ds.pdf for further information.

Index / Revision	Alteration	Date
01 / 01	Product Specification	27.11.2012

Created:	Z. Polánki 27.11.2012	Approved (Techn):	F. Zámbořský 03.12.2012	Approved (Quality):	J. Gulyás 03.12.2012	Released:	F. Rauscher 03.12.2012
-----------------	--------------------------	--------------------------	----------------------------	----------------------------	-------------------------	------------------	---------------------------

CONFIDENTIAL - Reproduction, publication and dissemination of this publication, enclosures hereto and the information contained therein is prohibited without MAGNETEC's prior written consent. Disclosing the specification to third parties or using its content without written permission from MAGNETEC is strictly forbidden and every offender is liable to pay the corresponding damages.